



P/N 1370430
Order No. SA40-0749-0
E.C. C41656
Printed in USA
12/92



Keyboard Operator's Guide



This publication is printed
on recycled paper.

SA40-0749-00



First Edition (December 1992)

The following paragraph does not apply to the United Kingdom or any country where such provisions are inconsistent with local law: IBM CORPORATION PROVIDES THIS PUBLICATION "AS IS" WITHOUT WARRANTY OF ANY KIND, EITHER EXPRESS OR IMPLIED, INCLUDING, BUT NOT LIMITED TO, THE IMPLIED WARRANTIES OF MERCHANTABILITY OR FITNESS FOR A PARTICULAR PURPOSE. Some states do not allow disclaimer of express or implied warranties in certain transactions, therefore, this statement may not apply to you.

References in this publication to products, programs, or services do not imply that the manufacturer intends to make these available in all countries in which it operates. Any reference to a product, program, or service in this publication is not intended to state or imply that only that product, program, or service may be used. Any functionally equivalent product, program, or service that does not infringe any existing intellectual property right may be used instead.

This publication could include technical inaccuracies or typographical errors. Changes are periodically made to the information herein; these changes will be incorporated in later editions of the publication. Improvements and/or changes in the product(s) and/or the program(s) described in this publication may be made at any time.

IBM, OS/2, and PS/2 are registered trademarks of the International Business Machines Corporation in the United States and/or other countries.

UNITED STATES GOVERNMENT RESTRICTED RIGHTS

This software and documentation are provided with RESTRICTED RIGHTS. Use, duplication or disclosure by the Government is subject to restrictions as set forth in subparagraph (c)(1)(ii) of the Rights in Technical Data and Computer Software clause at DFARS 252.227-7013 and in applicable FAR provisions: IBM Corporation, Armonk, NY 10504.

Federal Communications Commission (FCC) Statement

Note: This keyboard has been tested and found to comply with the limits for a Class B digital device, pursuant to Part 15 of the FCC Rules. These limits are designed to provide reasonable protection against harmful interference in a residential installation. This keyboard generates, uses, and can radiate radio frequency energy and, if not installed and used in accordance with the instructions, may cause harmful interference to radio communications. However, there is no guarantee that interference will not occur in a particular installation. If this equipment does cause harmful interference to radio or television reception, which can be determined by turning the equipment off and on, the user is encouraged to try to correct the interference by one or more of the following measures:

- Reorient or relocate the receiving antenna.
- Increase the separation between the equipment and receiver.
- Connect the equipment into an outlet on a circuit different from that to which the receiver is connected.
- Consult an IBM authorized dealer or service representative.

Properly shielded and grounded cables and connectors must be used in order to meet FCC limits. Proper cables and connectors are available from authorized dealers. The seller is not responsible for any radio or television interference caused by using other than recommended cables and connectors or by unauthorized changes or modifications to this equipment. Unauthorized changes or modifications could void the user's authority to operate the equipment.

Canadian Department of Communications Compliance Statement

This equipment does not exceed Class B limits per radio noise emissions for digital apparatus, set out in the Radio Interference Regulation of the Canadian Department of Communications.

Cet équipement ne dépasse pas les limites de Classe B d'émission de bruits radioélectriques pour les appareils numériques, telles que prescrites par le Règlement sur le brouillage radioélectrique établi par le ministère des Communications du Canada.

Safety Information

The power source to the keyboard should be fused, 5 amps or less.

WELCOME!

Thank you for choosing an IBM® keyboard. Your keyboard is designed to provide you a high quality, reliable, comfortable interface to your computer.

This manual shows you how to connect the keyboard to your computer. It also provides instructions for installing the mouse driver needed to operate the 25mm Trackball, if required. If you don't already have a mouse driver installed, or if the Trackball doesn't work with your current mouse driver, you should install the mouse driver from the diskette provided with the keyboard. The manual also shows you how to use the keyboard with the Trackball.

The manual contains information about caring for your keyboard and the appropriate government regulatory statements.

We hope you enjoy using your IBM Keyboard. If you have any questions about your keyboard which are not answered by the information in this manual, please call IBM directly at 1-800-772-2227.

HOW TO INSTALL YOUR KEYBOARD

Enhanced Keyboard

1. Be sure the electrical power to your computer system is **Off**.
2. Your new keyboard includes a cable. Plug the cable into your keyboard (See Figure 1).

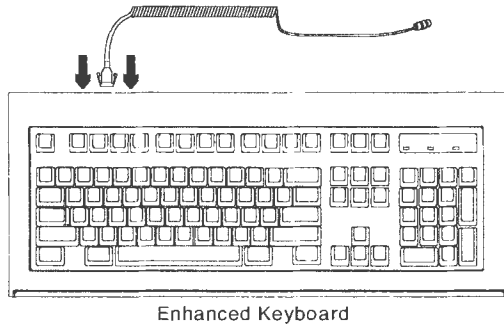


Figure 1.

3. Unplug the old keyboard from your computer.
4. Plug the new keyboard into the computer keyboard port. If you have difficulty locating the port, refer to your computer manual.
5. Turn the computer **On**. Should a keyboard error appear on the display, turn the computer **Off** and recheck connectors to assure good connection. If the error reappears, call 1-800-772-2227. (Consult your computer manual to identify keyboard error code.)

Enhanced keyboard with PS/2® trackball

1. Be sure the electrical power to your computer system is **Off**.
2. Your new keyboard includes a cable. Plug the cable into your keyboard (See Figure 2).

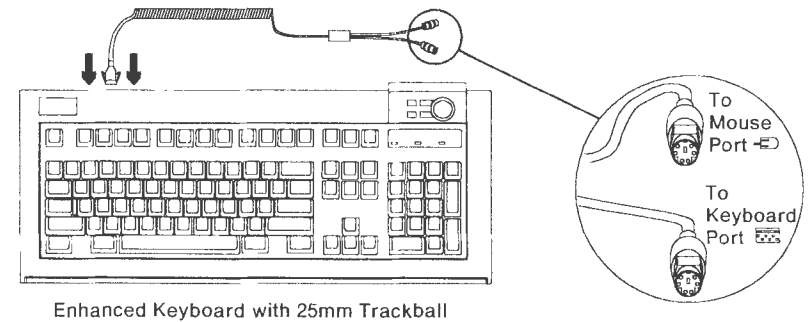




Figure 2.

3. Unplug your old keyboard from your computer.
4. Referring to inset of Figure 2, plug the new keyboard connector (icon ) into the computer keyboard port. If you have difficulty locating the port, refer to your computer manual.
5. If you have a mouse plugged into the mouse port, unplug the mouse.
6. Referring to inset of Figure 2, plug the trackball connector (icon ) into the mouse port. If you have difficulty locating the mouse port, refer to your computer manual.

7. Turn your computer **On**. Should a keyboard error appear on the display, turn the computer **Off** and recheck connectors to assure good connection. If the error reappears, call 1-800-772-2227. (Consult your computer manual to identify keyboard error code.)
8. A diskette with information on how to operate the trackball and a device driver is supplied with the keyboard. A mouse driver is needed for the trackball to function. If you don't already have a mouse driver installed, or the trackball doesn't work with your current mouse driver, then you should install the mouse driver that is on the diskette.

Note: The mouse driver provided on the diskette is not compatible with OS/2®. However, OS/2 comes with its own mouse driver(s).

To install the new mouse driver:

- Turn the computer **On** and go to the DOS prompt.
- Insert the diskette into drive A.
- Type


```
A:          <enter>
INSTALL    <enter>
```
- Follow the instructions on the display.

9. The mouse driver that came with your new keyboard has some adjustable features. You can learn about them by reading the file "Settings" which is on the diskette. To print this file on your PC printer:

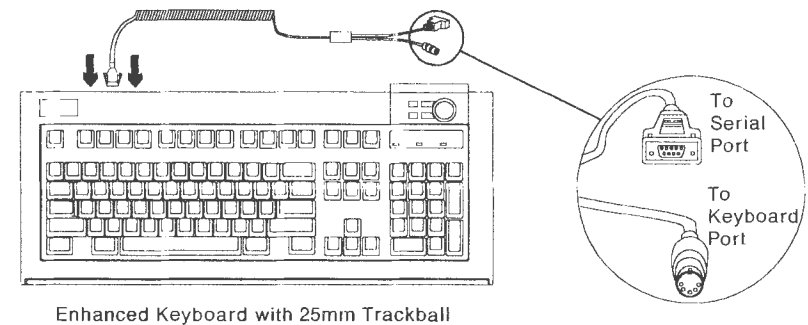
- Turn your printer **On** and go to the DOS prompt.
- Type


```
A:          <enter>
PRINT SETTINGS <enter>
```

If the PRINT command does not work, consult your Operating System Manual.

Enhanced keyboard with Serial Trackball

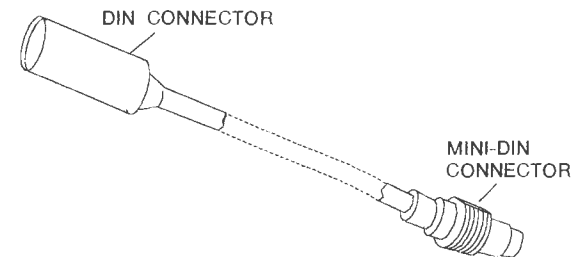
1. Be sure the electrical power to your computer system is **OFF**.
2. Your new keyboard includes a cable. Plug the cable into your keyboard (See Figure 3).



Enhanced Keyboard with 25mm Trackball

Figure 3.

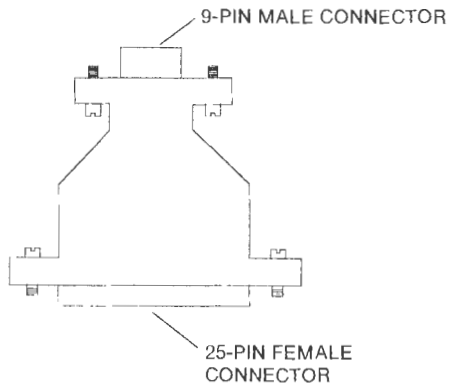
3. Unplug your old keyboard from your computer.
4. Referring to inset of Figure 3, plug the new keyboard connector (DIN connector) into the computer keyboard port. If your computer requires a MINI-DIN connector you will need to obtain a DIN to MINI-DIN adapter (See Figure 4) from a commercial source. If you have difficulty locating the port, refer to your computer manual.



TYPICAL DIN TO MINI-DIN CONNECTOR

Figure 4.

5. If you have a mouse plugged into the mouse port, unplug the mouse.
6. Referring to inset of Figure 3 on page 5, plug the trackball connector (9-pin connector) into the serial port. If your computer requires a 25-pin connector you will need to obtain a 9-pin male to 25-pin female adapter (see Figure 5) from a commercial source. If you have difficulty locating the serial port, refer to your computer manual.



TYPICAL 9-PIN MALE TO 25-PIN FEMALE ADAPTER

Figure 5.

7. Turn your computer **ON**. Should a keyboard error appear on the display, turn the computer **OFF** and recheck connectors to assure good connection. If the error reappears, call 1-800-772-2227. (Consult your computer manual to identify keyboard error code.)
8. A diskette with information on how to operate the trackball and a device driver is supplied with the keyboard. A mouse driver is needed for the trackball to function. If you don't already have a mouse driver installed, or the trackball doesn't work with your current mouse driver, then you should install the mouse driver that is on the diskette.

Note: The mouse driver provided on the diskette is not compatible with OS/2. However, OS/2 comes with its own mouse driver(s).

To install the new mouse driver:

- Turn the computer **On** and go to the DOS prompt.
- Insert the diskette into drive A.
- Type


```
A:          <enter>
INSTALL    <enter>
```
- Follow the instructions on the display.

9. The mouse driver that came with your new keyboard has some adjustable features. You can learn about them by reading the file "Settings" which is on the diskette. To print this file on your PC printer:

- Turn your printer **On** and go to the DOS prompt.
- Type

```
A:          <enter>
PRINT SETTINGS <enter>
```

If the PRINT command does not work, consult your Operating System Manual.

Note: The keyboard must be connected for the serial trackball to function.

USING THE TRACKBALL ON YOUR KEYBOARD

1. The trackball shown in Figure 6 is used to position the pointer on the display and take actions by using the accompanying buttons.

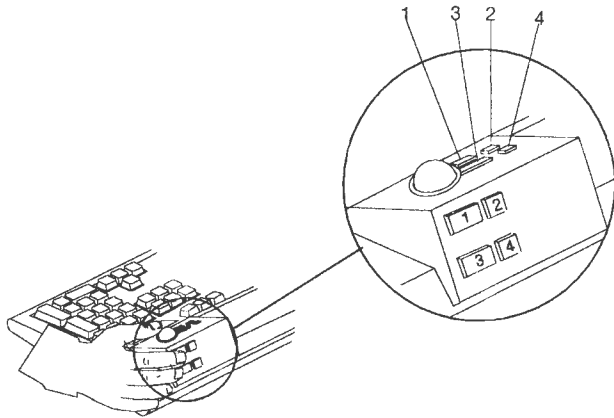
a. To select items:

- Rotate the ball to position the pointer on the object.
- Press and quickly release the mouse button to select the object.

b. To select and move an object on the screen:

- Rotate the ball to position the pointer on the object.
- Press and release the lock button to select and lock the pointer to the object.
- Rotate the ball to reposition the object.
- Release the object by pressing either the lock button or the mouse button.

The object may also be moved by holding down the mouse button while rotating the ball instead of using the lock button.



1. Mouse Button #1
2. Lock for Mouse Button #1
3. Mouse Button #2
4. Lock for Mouse Button #2

Figure 6.

CARE OF YOUR KEYBOARD

1. Your keyboard can be cleaned with a soft cloth moistened with water and mild soap. Being an electronic product, the keyboard should not be immersed in liquid or dropped.
2. If you have a trackball on the keyboard, it may also be cleaned with a soft damp cloth. Rotate the ball with one hand while cleaning it with the other. Should the ball need to be removed for more thorough cleaning, follow these steps:
 - a. Using a small pointed device approximately the size of the end of a paper clip, turn the retaining ring counterclockwise. (The retaining ring encircles the ball.)
 - b. Remove the ring and the ball with your fingertips or by tipping the keyboard. Do not stick objects into the ball socket.
 - c. Clean ball with mild soap and soft damp cloth. Clean the two rollers in the mechanism with a moist cotton swab by wiping parallel to the shafts. Rotate the roller with the swab and continue wiping. Continue this process until each roller has been completely rotated and cleaned. Do not try to remove any part of the mechanism.
 - d. Re-install ball and ring making sure that the ring has been rotated firmly clockwise. Check the rotation of the ball. If the ball does not rotate, remove the ring, check the ball and rollers, and re-install the ring.

Note: The ball may bind if the ring has not been fully rotated clockwise.

STATEMENT OF LIMITED WARRANTY

The warranties provided by IBM in this Statement of Limited Warranty apply only to Machines you originally purchase for your use, and not for resale, from IBM or an IBM authorized reseller. The term "Machine" means an IBM machine, its features, conversions, upgrades, elements, or accessories, or any combination of them. Machines are subject to these terms only if purchased in the United States or Puerto Rico, or Canada, and located in the country of purchase. If you have any questions, contact IBM or your reseller.

Machine: IBM Keyboard Option
Warranty Period*: One Year

**Elements and accessories are warranted for three months.
 Contact your place of purchase for warranty service information.*

Production Status

Each machine is manufactured from new parts, or new and serviceable used parts (which perform like new parts). In some cases, the Machine may not be new and may have been previously installed. Regardless of the Machine's production status, IBM's warranty terms apply.

The IBM Warranty

IBM warrants that each Machine 1) is free from defects in materials and workmanship and 2) conforms to IBM's Official Published Specifications. IBM calculates the expiration of the warranty period from the Machine's Date of Installation. The date on your receipt is the Date of Installation, unless IBM or your reseller informs you otherwise.

During the warranty period, IBM or your reseller will provide warranty service under the type of service designated for the Machine and will manage and install engineering changes that apply to the Machine. IBM or your reseller will specify the type of service.

For a feature, conversion, or upgrade, IBM or your reseller may require that the Machine on which it is installed be 1) the designated, serial-numbered Machine and 2) at an engineering-change level compatible with the feature, conversion, or upgrade. Some of these transactions (called "Net-Priced" transactions) may include additional parts and associated replacement parts that are provided on an exchange basis. All removed parts become the property of IBM and must be returned to IBM.

Replacement parts assume the remaining warranty of the parts they replace.

If a Machine does not function as warranted during the warranty period, IBM or your reseller will repair or replace it without charge. If IBM or your reseller is unable to do so, you may return it to your place of purchase and your money will be refunded.

If you transfer a Machine to another user, warranty service is available to that user for the remainder of the warranty period. You should give your proof of purchase and this Statement to that user.

Warranty Service

To obtain warranty service for the Machine, you should contact your reseller or call IBM. In the United States, call IBM at 1-800-IBM-SERV (426-7378). In Canada, call IBM at 1-800-465-6666. You may be required to present proof of purchase.

Depending on the Machine, the service may be 1) a "Repair" service at your location (called "On-site") or at one of IBM's or a reseller's service locations (called "Carry-in") or 2) an "Exchange" service, either On-site or Carry-in.

When a type of service involves the exchange of a Machine or part, the item IBM or your reseller replaces becomes its property and the replacement becomes yours. The replacement may not be new, but will be in good working order.

It is your responsibility to:

1. obtain authorization from the owner (for example, your lessor) to have IBM or your reseller service a Machine that you do not own;

2. Where applicable, before service is provided -
 - a. follow the problem determination, problem analysis, and service request procedures that IBM or your reseller provide,
 - b. secure all programs, data, and funds contained in a Machine,
 - c. inform IBM or your reseller of changes in a Machine's location, and
 - d. for a Machine with exchange service, remove all features, parts, options, alterations, and attachments not under warranty service. Also, the Machine must be free of any legal obligations or restrictions that prevent its exchange; and
3. be responsible for loss of, or damage to, a Machine in transit when you are responsible for the transportation charges.

Extent of Warranty

IBM does not warrant uninterrupted or error-free operation of a Machine.

Misuse, accident, modification, unsuitable physical or operating environment, improper maintenance by you, or failure caused by a product for which IBM is not responsible may void the warranties.

THESE WARRANTIES REPLACE ALL OTHER WARRANTIES, EXPRESS OR IMPLIED, INCLUDING, BUT NOT LIMITED TO, THE IMPLIED WARRANTIES OF MERCHANTABILITY AND FITNESS FOR A PARTICULAR PURPOSE. HOWEVER, SOME LAWS DO NOT ALLOW THE EXCLUSION OF IMPLIED WARRANTIES. IF THESE LAWS APPLY, THEN ALL EXPRESS AND IMPLIED WARRANTIES ARE LIMITED IN DURATION TO THE WARRANTY PERIOD. NO WARRANTIES APPLY AFTER THAT PERIOD.

In Canada, warranties include both warranties and conditions.

Some jurisdictions do not allow limitations on how long an implied warranty lasts, so the above limitation may not apply to you.

Limitation of Liability

Circumstances may arise where, because of a default on IBM's part (including fundamental breach) or other liability (including negligence and misrepresentation), you are entitled to recover damages from IBM. In each such instance, regardless of the basis on which you are entitled to claim damages, IBM is liable only for:

1. bodily injury (including death), and damage to real property and tangible personal property; and
2. the amount of any other actual loss or damage, up to the greater of \$100,000 or the charge for the Machine that is the subject of the claim.

Under no circumstances is IBM liable for any of the following:

1. third-party claims against you for losses or damages (other than those under the first item listed above);
2. loss of, or damage to, your records or data; or
3. economic consequential damages (including lost profits or savings) or incidental damages, even if IBM is informed of their possibility.

Some jurisdictions do not allow the exclusion or limitation of incidental or consequential damages, so the above limitation or exclusion may not apply to you.

This warranty gives you specific legal rights and you may also have other rights which vary from jurisdiction to jurisdiction.

IBM GUARANTEE

If for any reason you are not satisfied with this product, return it to the place-of-purchase within 30 days for a full refund. A valid proof-of-purchase is also required.
