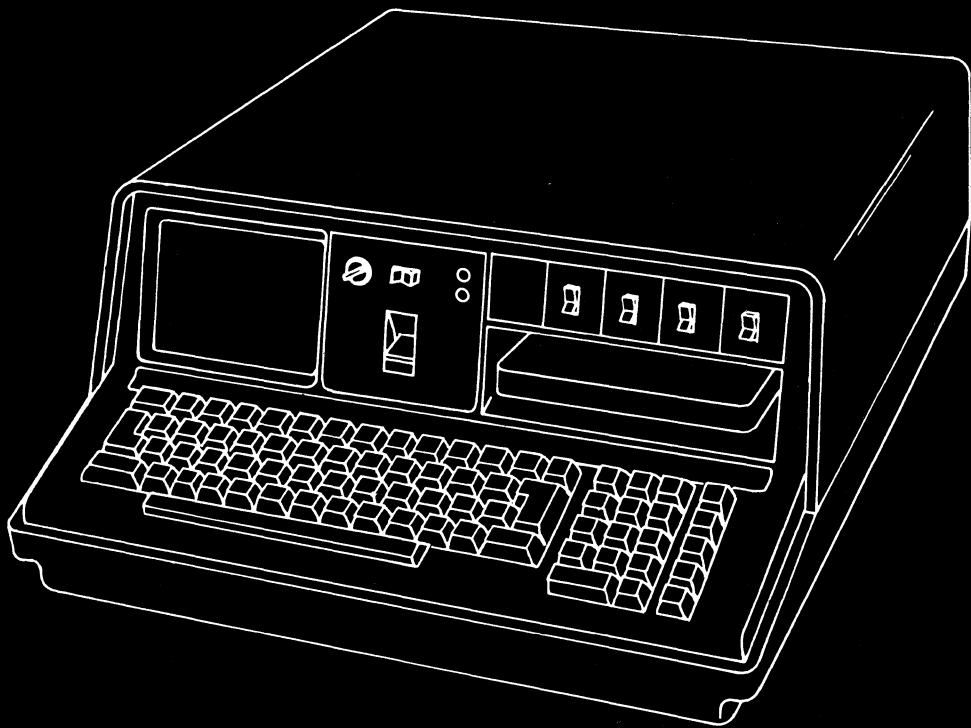


**IBM 5100  
Portable Computer  
Parts Catalog**

**5100**



*IBM 5100  
Portable Computer  
Parts Catalog*





**Maintenance Library**

**5100**

**Portable Computer  
Parts Catalog**

## **PREFACE**

This Illustrated Parts Catalog (IPC) contains listings and illustrations of all replaceable assemblies, subassemblies and detail parts released to Production Control on or before November 1, 1976.

### **Fourth Edition (November 1976)**

Changes are continually made to the specifications herein; any such change will be reported in subsequent revisions or FE Supplements.

A form for reader's comments is provided at the back of this publication. If this form has been removed, comments may be addressed to IBM Corporation, Publications, Department 245, Rochester, Minnesota 55901.

© Copyright International Business Machines Corporation 1976.

## Contents

<b>HOW TO USE A PARTS CATALOG</b> . . . . .	ii
<b>VISUAL INDEXES</b> . . . . .	iv
<b>FIGURES</b> . . . . .	1
Figure 1. Final Assembly . . . . .	2
Figure 2. Final Assembly . . . . .	6
Figure 3. Final Assembly . . . . .	8
Figure 4. Control Panel Assembly . . . . .	10
Figure 5. Gate Assembly . . . . .	12
Figure 6. Keyboard Assembly, Basic . . . . .	14
Figure 7. Keybutton Chart . . . . .	16
Figure 8. Tape Drive Assembly . . . . .	18
Figure 9. Tape Drive Assembly . . . . .	20
Figure 10. AC Box Assembly, Old Style . . . . .	22
Figure 11. AC Box Assembly, New Style . . . . .	24
Figure 12. Cable and Jumper Assembly Component Parts . . . . .	26
Figure 13. Attaching Parts . . . . .	29
<b>NUMERICAL INDEX</b> . . . . .	X-1

## HOW TO USE THIS PARTS CATALOG

### PART I

To find parts quickly, a general understanding of the structure of this catalog is necessary. The catalog is divided into three major sections:

- The Visual Index, containing overall views of the machine, with call-outs pointing to detailed figures.
- The Catalog Section, containing a pictorial breakdown of assemblies and subassemblies.
- The Numerical Index, which is a numerical list of all parts used in the machine, with cross-references to the figure on which the part is found.

#### VISUAL INDEX

The Visual Index, located before the Catalog Section, contains a reduced illustration of every figure in the Catalog Section. The reduced illustrations are tied together with flow arrows to form a natural progression from large assemblies to small assemblies and possibly subassemblies. In effect, a visual table of contents is formed by the Visual Index illustrations.

#### CATALOG SECTION

The Catalog Section contains the full-sized illustrations previously noted in the Visual Index. Index numbers on figures refer to corresponding entries in the Group Assembly Parts List accompanying each figure. Refer to part II for explanation of terms used in the Group Assembly Parts List.

#### ATTACHING PARTS LIST

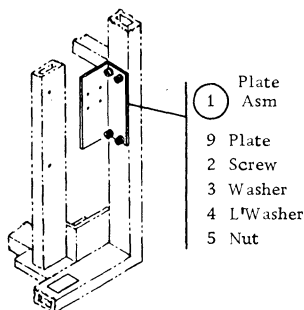
The Attaching Parts List contains common screws, nuts, washers, etc. that are used in the machine. Index numbers for attaching parts are on the illustration, and the description is in the Attaching Parts List.

#### NUMERICAL INDEX

The Numerical Index is located after the Catalog Section and contains a complete list, in numerical order, of all part numbers used on the machine. Listed with the part number is the list and index number on which the part is illustrated. The numerical index makes it possible to locate a part when only the part number is known.

#### STACKED INDEX NUMBERS

Stacked Index numbers are used when showing a part and its attaching hardware. The sequence of a typical stack is shown at the right. The circled index number indicates the assembly is broken down within the figure.



#### ILLUSTRATION NOTES

Cross-reference notes are directly on the illustration. The illustration's next higher assembly reference, normally located in the upper left corner of the page will read: "For Parts Not Shown See Figure X". If an assembly is referenced to a lower level figure, the note located next to the index number will read: "5 See Figure X."

#### DOUBLE LINED DETAIL BOX

The double lined box differentiates between parts shown on the basic model and parts related to a level and/or feature difference. An explanation of the level or feature difference is given in the double lined box.

#### FINDING A PART

The Visual Index is the starting point for locating a part. The illustrations in the Visual Index are reduced versions of all illustrations in the Catalog Section; therefore, the illustrations can be used to find the assembly containing the desired part. Use references to the detailed figure in the Catalog Section, or to another Visual Index illustration, to determine location of part number.

Once the detailed figure in the catalog section is determined, finding the part on the figure and referring to the listing for the part number and description is all that is required in most cases. If the first catalog section figure referenced shows the assembly containing the required part, the index number for the assembly will reference a lower-level figure where the assembly is broken down to its component parts. If the figure referenced by the Visual Index contains neither the part nor an assembly containing the part, it is then necessary to go to the next higher assembly figure. This figure should then contain the part or an assembly containing the part; if not, an even higher level figure must be used. Refer back to the Visual Index for some other figure that could show the desired part.

*Note:* Many detailed parts are unavailable, because they are part of an inseparable assembly (two or more parts welded or bonded together), or because they are part of an assembly purchased as a unit. If parts are found on a welded or bonded assembly, the following note follows the description of the assembly: "Assembly components are not replaceable." If the part is found on a purchased assembly, and the detail parts of this assembly do not have IBM part numbers, the note following the assembly description will read: "Assembly components are not available." In either case, you need to obtain the part number of the assembly, rather than the detailed part.

#### EXAMPLE FOR ORDERING PARTS

FIGURE- INDEX NUMBER	PART NUMBER	DESCRIPTION	UNITS	
			PER ASM.	USABLE ON CODE
50 -	5726522	FAN ASSEMBLY-P/S ENCLOSURE FOR NEXT HIGHER ASM SEE LIST 3-13 AND FOR ILLUSTRATION FIG. 50		
- 1	334921	TERMINAL RING 18-22 AWG, NO. 6 INS	2	
- 2	347854	SHIELD, TERMINAL BLOCK-2 PDS	1	
- 3	5357050	FAN ASM-NO. CONNECTOR	1	
- 4	5357066	BLADE	1	
- 5	5357067	MOTOR 208/230V 60/50 HZ	1	
- 6	5726436	HEADER-POWER SUPPLY FAN	1	

If the entire fan is required, part number 5726422 should be ordered (all one dot items will be received). If only the sub-assembly is required, part number 5357050 should be ordered (all two dot items will be received). Each part may be ordered individually.

## HOW TO USE THIS PARTS CATALOG

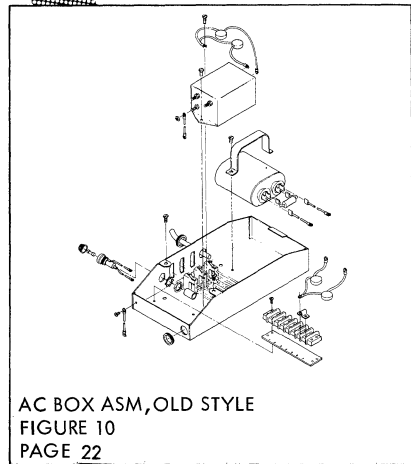
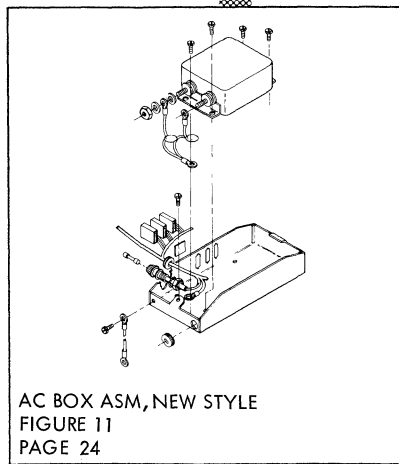
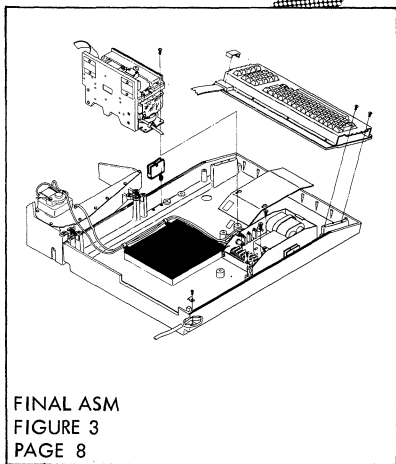
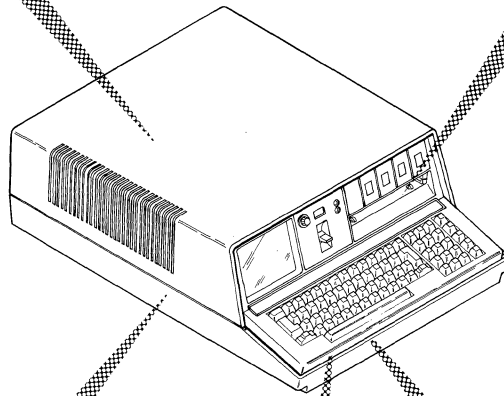
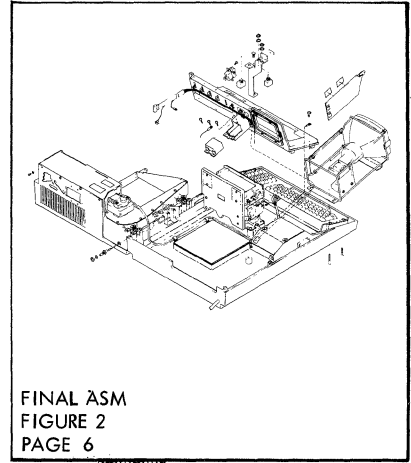
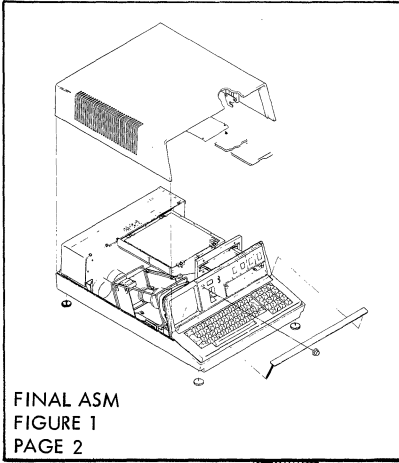
### PART II

- 1** *AR*  
As Required (AR) in the units per assembly column denotes that the quantity is used as required.
- 2** *ATT PT*  
Attaching Parts: These parts are used to attach a subassembly to an assembly. The attaching parts are listed in the last list just before the numeric index. Special attaching parts are listed with the figure.
- 3** *INDENTURE*  
The relationship of a part to its next higher assembly is indicated by indentures. For example:  
  

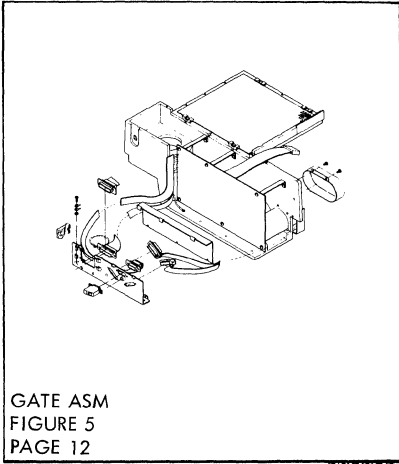
1	2	3	4
Unit			
.	Assemblies and Detail Parts of Unit		
.	Attaching Parts for Assemblies & Detail Parts		
.	.	Subassemblies	
.	.	Attaching Parts for Subassemblies	
.	.	.	Detail Parts for Subassemblies, etc.
- 4** *NR*  
The NR in the part number column denotes the part is procurable but not recommended for field replacement, and that the next higher assembly should be ordered.
- 5** *NP*  
The entry NP in the part number column denotes the assembly is non-procurable and the detail parts should be ordered separately.
- 6** *NO NO.*  
When this indication appears in the part number column, it denotes a group of parts for which no assembly part number has been assigned, and the detail parts should be ordered separately.

### EXAMPLE OF PARTS LIST

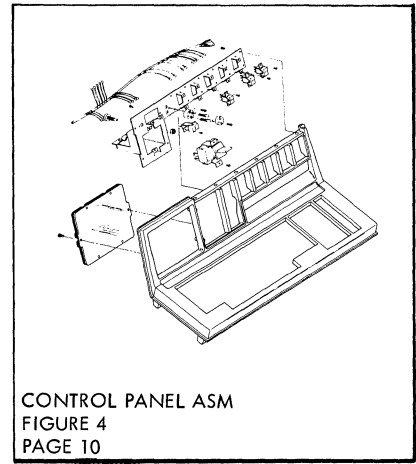
FIGURE - INDEX NUMBER	PART NUMBER	DESCRIPTION				UNITS PER ASM.	USABLE ON CODE
		1	2	3	4		
37 -	2448605	MOTOR ASM,DRIVE					
-		FOR NEXT HIGHER ASM SEE LIST 27-44					
-		AND FOR ILLUSTRATION FIG. 37					
- 1	2204176	.	.	.	.	1	
- 2	79842	.	.	.	.	1	
- 3	2204116	NR	.	.	.	1	
- 4	NO NO.	.	.	.	.	1	
- 5	2204082	.	.	.	.	1	
- 5	2204033	.	.	.	.	1	
- 7	2199258	.	.	.	.	1	
- 8	2199401	NP	.	.	.	1	



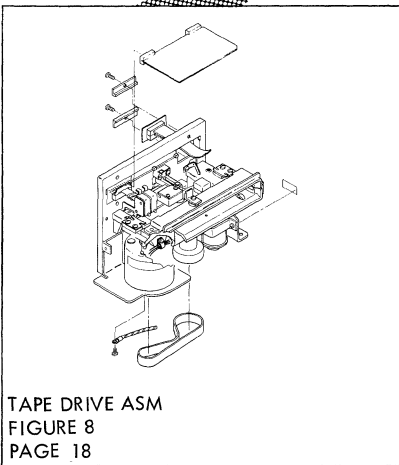
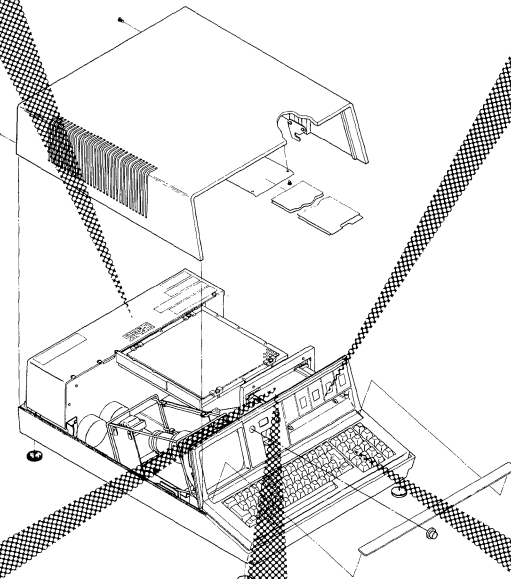




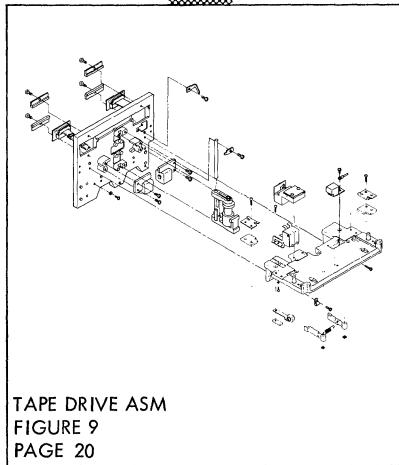
GATE ASM  
FIGURE 5  
PAGE 12



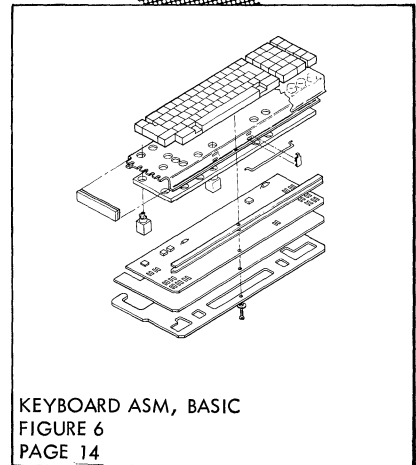
CONTROL PANEL ASM  
FIGURE 4  
PAGE 10



TAPE DRIVE ASM  
FIGURE 8  
PAGE 18



TAPE DRIVE ASM  
FIGURE 9  
PAGE 20



KEYBOARD ASM, BASIC  
FIGURE 6  
PAGE 14

THIS PAGE INTENTIONALLY LEFT BLANK

**Catalog Section**

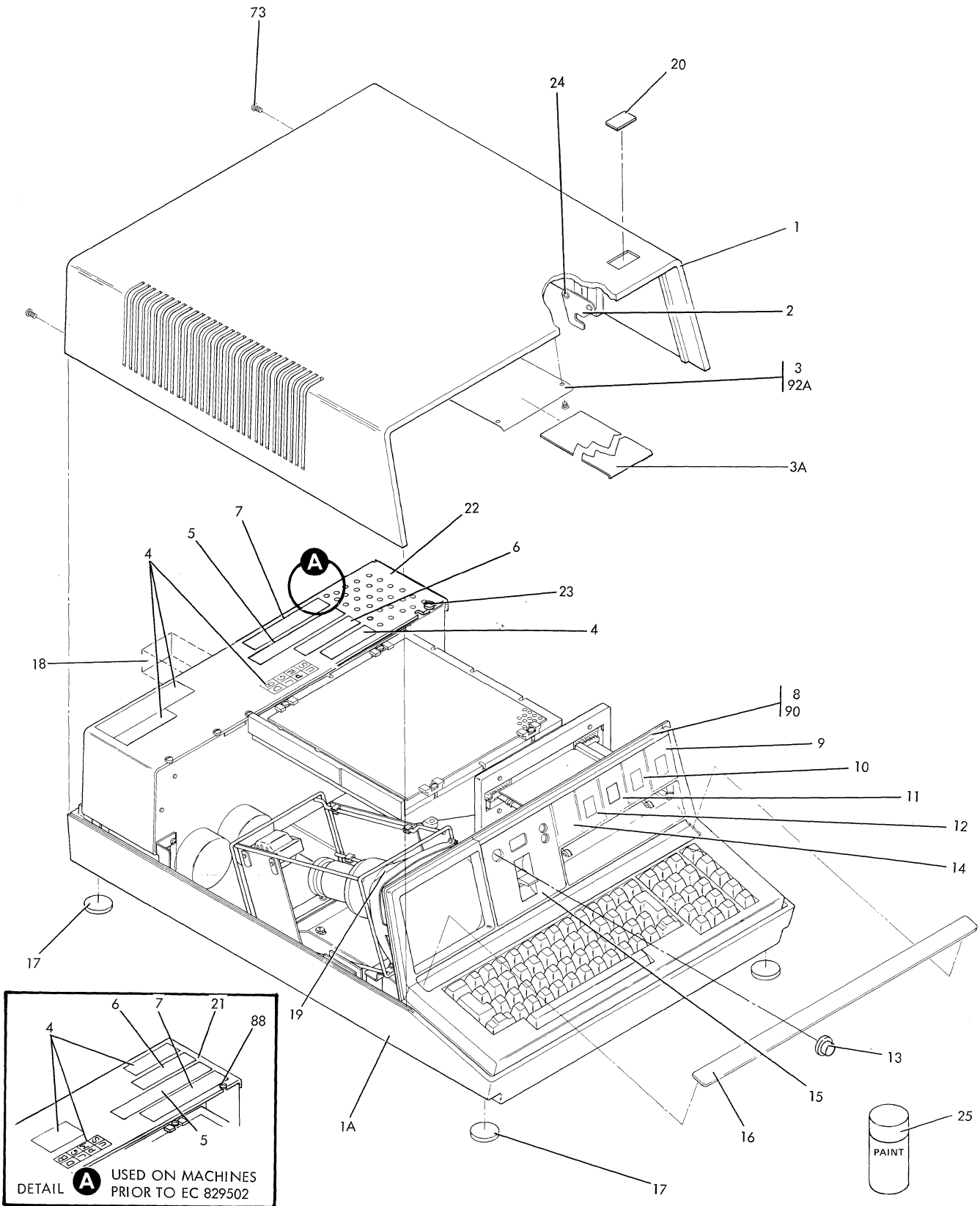


FIGURE 1. FINAL ASSEMBLY. SEE LIST 1.

FIGURE- INDEX NUMBER	PART NUMBER	UNITS PER ASM.	DESCRIPTION FOR FIGURE 1			
			1	2	3	4
1	NO NO.		FINAL ASM FOR ILLUSTRATION SEE FIG. 1			
- 1	2451315	1	• UPPER STRUCTURE,USED ON MACHINES WITHOUT EC 829611,DOMESTIC ONLY			
- 1			B/M INCLUDES SCREWS AND REF DRAWING			
- 1	2451261	1	• COVER, TOP-USED ON MACHINES WITH EC 829502 WTC/GBGI ONLY			
- 1	2451261	1	• COVER, TOP-USED ON MACHINES WITH EC 829611 WHICH REMOVED THREADED INSERTS AND CHANGED TO THREAD FORMING SCREWS DOMESTIC ONLY			
- 1A	2451318	1	• LOWER STRUCTURE,USED ON MACHINES WITHOUT EC 829611-MUST BE ORDERED BY MES TO HAVE S/N ETCHED IN BASE			
- 1A	2451262	1	• BASE,USED ON MACHINES WITH EC 829611 WHICH REMOVED THREADED INSERTS AND CHANGED TO THREAD FORMING SCREWS MUST BE ORDERED BY MES TO HAVE S/N ETCHED IN BASE			
- 2	1608833	2	• HOOK			
- 3	1608832	1	• COVER,ERROR CARD			
- 3A	1608334	1	• ERROR CARD,ENGLISH			
- 3A	1608175	1	• ERROR CARD,FRENCH			
- 3A	1608176	1	• ERROR CARD,GERMAN			
- 3A	1608177	1	• ERROR CARD,ITALIAN			
- 3A	1608178	1	• ERROR CARD,SPANISH			
- 4	2451180	1	• LABEL GROUP			
- 5	2538125	1	• LABEL,CAUTION-HOT COMPONENTS			
- 6	369207	1	• LABEL,HAZARDOUS AREA TRAINED SERVICE PERSONNEL ONLY			
- 7	1825365	1	• LABEL,WARNING FOR SERVICING,ETC			
- 8	1608827	1	• CAP RETAINING			
- 9	1608892	1	• PANEL ASM,DISPLAY REGISTERS-ENGLISH			
- 9	1608165	1	• PANEL ASM,DISPLAY REGISTERS-FRENCH			
- 9	1608166	1	• PANEL ASM,DISPLAY REGISTERS-GERMAN			
- 9	1608167	1	• PANEL ASM,DISPLAY REGISTERS-ITALIAN			
- 9	1608168	1	• PANEL ASM,DISPLAY REGISTERS-SPANISH			
- 10	1608891	1	• PANEL ASM,RESTART-ENGLISH			
- 10	1608155	1	• PANEL ASM,RESTART-FRENCH			
- 10	1608156	1	• PANEL ASM,RESTART-GERMAN			
- 10	1608157	1	• PANEL ASM,RESTART-ITALIAN			
- 10	1608158	1	• PANEL ASM,RESTART-SPANISH			
- 11	1608803	1	• PANEL,BLANK			
- 11	1608813	1	• PANEL ASM,APL/BASIC			
- 12	1608477	1	• PANEL ASM,REVERSE DISPLAY-ENGLISH			
- 12	1608135	1	• PANEL ASM,REVERSE DISPLAY-FRENCH			
- 12	1608136	1	• PANEL ASM,REVERSE DISPLAY-GERMAN			
- 12	1608137	1	• PANEL ASM,REVERSE DISPLAY-ITALIAN			
- 12	1608138	1	• PANEL ASM,REVERSE DISPLAY-SPANISH			
- 13	1608421	1	• KNOB,BRIGHTNESS			
- 14	1608803	1	• PANEL,BLANK			
- 15	1608890	1	• PANEL ASM,ON/OFF SWITCH-ENGLISH			
- 15	1608145	1	• PANEL ASM,ON/OFF SWITCH-FRENCH			
- 15	1608146	1	• PANEL ASM,ON/OFF SWITCH-GERMAN			
- 15	1608147	1	• PANEL ASM,ON/OFF SWITCH-ITALIAN			
- 15	1608148	1	• PANEL ASM,ON/OFF SWITCH-SPANISH			
- 16	1608129	1	• LABEL,ENGLISH			
- 16	1608130	1	• LABEL,FRENCH			
- 16	1608131	1	• LABEL,GERMAN			
- 16	1608132	1	• LABEL,ITALIAN			
- 16	1608133	1	• LABEL,SPANISH			
- 17	1608846	4	• PAD			
- 18	1608291	1	• LABEL			
- 19	1608483	2	• LABEL			
- 20	1608289	1	• NAMEPLATE,ENGLISH			
- 20	1608180	1	• NAMEPLATE,WTC/GBGI			
- 21	1608856	1	• SHIELD,POWER SUPPLY USED ON MACHINES PRIOR TO EC 829502			
- 22	2451128	1	• SHIELD,POWER SUPPLY-USED ON MACHINES WITH EC 829502,WTC/GBGI ONLY,AND EC 829611 WHICH REMOVED THREADED INSERTS AND CHANGED TO THREAD FORMING SCREWS,ALL MACHINES			
- 23	438548	4	• SCREW,MACH-BIND HD 4-40 X 3/16 LG USED ON MACHINES WITHOUT EC 829611			
- 23	1611347	4	• SCREW,THD FORM-PAN HD 6-19 X 5/16 LG USED ON MACHINES WITH EC 829611 WHICH REMOVED THREADED INSERTS AND CHANGED TO THREAD FORMING SCREWS			
- 24	58207		• SCREW,MACH BIND HD 8-32 X 1/4 LG			

FIGURE- INDEX NUMBER	PART NUMBER	UNITS PER ASM.	DESCRIPTION FOR FIGURE 1			
			1	2	3	4
1 - 24 - 24 - 24	2451224		USED WITH UPPER STRUCTURE 1608823 • SCREW,THD FORM-HEX WSHR HD 8-16 X 7/16 LG USED WITH TOP COVER 2451261			
- 25 - 25 - 25		1 1	• PAINT,COVERS-PEBBLE GREY TOUCH UP • PAINT,OPERATOR PANEL CLOUD WHITE TOUCH UP			
				FOR ATTACHING PARTS, INDEX NOS. 50 AND ABOVE, SEE LIST 13		

THIS PAGE INTENTIONALLY LEFT BLANK

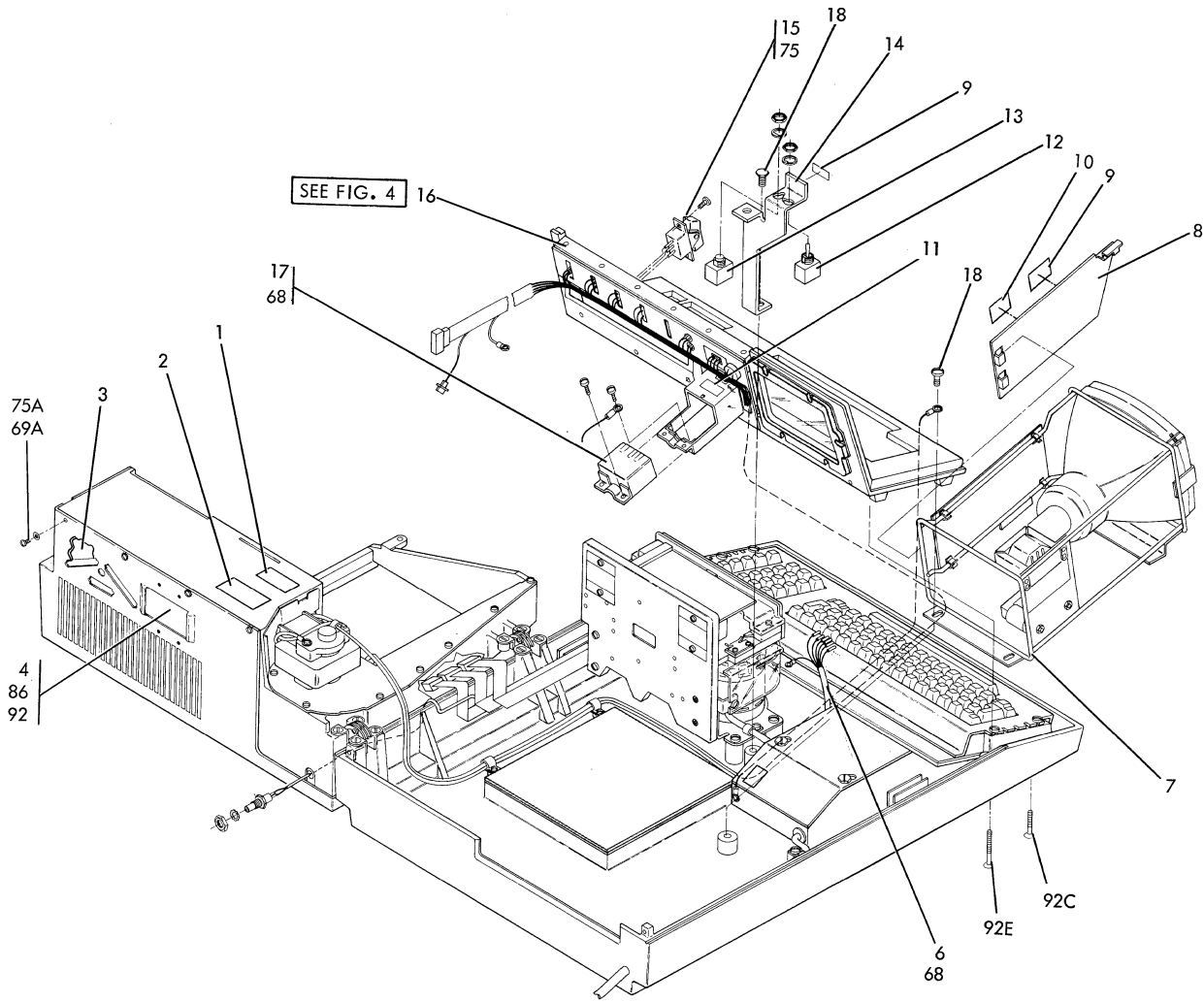


FIGURE 2. FINAL ASSEMBLY. SEE LIST 2.





LINE CORD CHART		
	1608702	U.S.A., BRAZIL, CANADA, MEXICO, VENEZUELA, COLUMBIA
	2451101	AUSTRIA, DENMARK, GERMANY, NETHERLANDS, SPAIN, SWEDEN, NORWAY, FINLAND
	2451102	AUSTRALIA
	2451105	UNITED KINGDOM
	2451111	BELGIUM, FRANCE, ITALY
	2451113	SWITZERLAND
	1608274	JAPAN

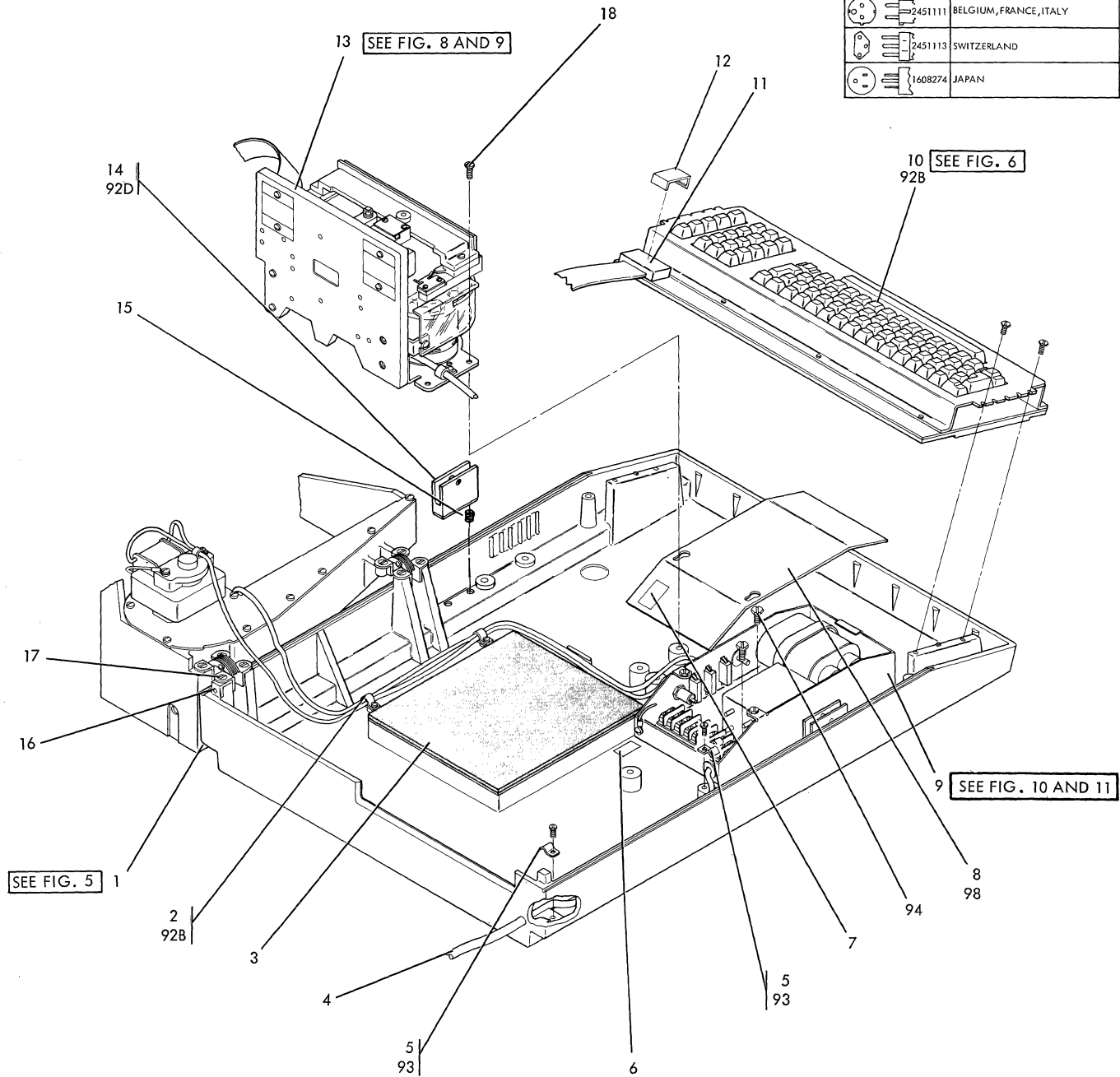


FIGURE 3. FINAL ASSEMBLY. SEE LIST 3.

FIGURE- INDEX NUMBER	PART NUMBER	UNITS PER ASM.	DESCRIPTION FOR FIGURE 3			
			1	2	3	4
3	NO NO.		FINAL ASM FOR ILLUSTRATION SEE FIG. 3			
- 1	1608850	1	• GATE ASM FOR DETAIL BREAKDOWN SEE FIG. 5			
- 2	303514	2	• CLAMP,CABLE			
- 3	1608848	2	• PAD SEE LINE CORD CHART FIG.3			
- 4			• CLAMP,LINE CORD			
- 5	1608440	2				
- 6	2451180	1	• LABEL			
- 7	2597163	1	• LABEL			
- 8	1608876	1	• COVER,AC BOX USED ON AC BOX 1608870			
- 8	1608336	1	• COVER,AC BOX USED ON AC BOX 1608118			
- 9	1608870	1	• AC BOX,DOMESTIC ONLY FOR DETAIL BREAKDOWN SEE FIG. 10			
- 9	1608118	1	• AC BOX,WTC/GBGI ONLY FOR DETAIL BREAKDOWN SEE FIG. 11			
- 9						
- 10	1865328	1	• KEYBOARD,BASIC			
- 10	1865329	1	• KEYBOARD,BASIC/APL			
- 10	1865350	1	• KEYBOARD,APL FOR DETAIL BREAKDOWN SEE FIG. 6			
- 11	1608544	1	• CABLE ASM,KEYBOARD			
- 12	2469297	1	• CLAMP,CABLE			
- 13	1608706	1	• TAPE DRIVE ASM,100/115V 60 HZ			
- 13	1608524	1	• TAPE DRIVE ASM,100V 50 HZ			
- 13	1608525	1	• TAPE DRIVE ASM,220V 50 HZ			
- 13	1608526	1	• TAPE DRIVE ASM,235V 50 HZ FOR DETAIL BREAKDOWN SEE FIGS. 8 AND			
- 14	1608836	2	• CLEVIS ASM			
- 15	1608845	4	• SPRING			
- 16	2451225		• SUPPORT,GATE USED ON MACHINES WITH EC 829611 WHICH REMOVED THREADED INSERTS AND CHANGED TO THREAD FORMING SCREWS			
- 16						
- 16						
- 17	38443	4	• SCREW,MACH FLAT HD 6-32 X 5/16 LG USED ON MACHINES WITHOUT EC 829611			
- 17	2451199	4	• SCREW,THD FORM FLAT HD 6-19 X 5/8 LG USED ON MACHINES WITH EC 829611 WHICH REMOVED THREADED INSERTS AND CHANGED TO THREAD FORMING SCREWS			
- 17						
- 17						
- 17						
- 18	58207		• SCREW,MACH BIND HD 8-32 X 1/4 LG USED ON MACHINES WITHOUT EC 829611			
- 18						
- 18	5552875		• SCREW,THD FORM HEX WSHR HD 8-16 X 9/16 LG USED ON MACHINES WITH EC 829611 WHICH REMOVED THREADED INSERTS AND CHANGED TO THREAD FORMING SCREWS			
- 18						
- 18						
- 18						
			FOR ATTACHING PARTS, INDEX NOS. 50 AND ABOVE, SEE LIST 13			

FOR PARTS  
NOT SHOWN  
SEE FIG. 2

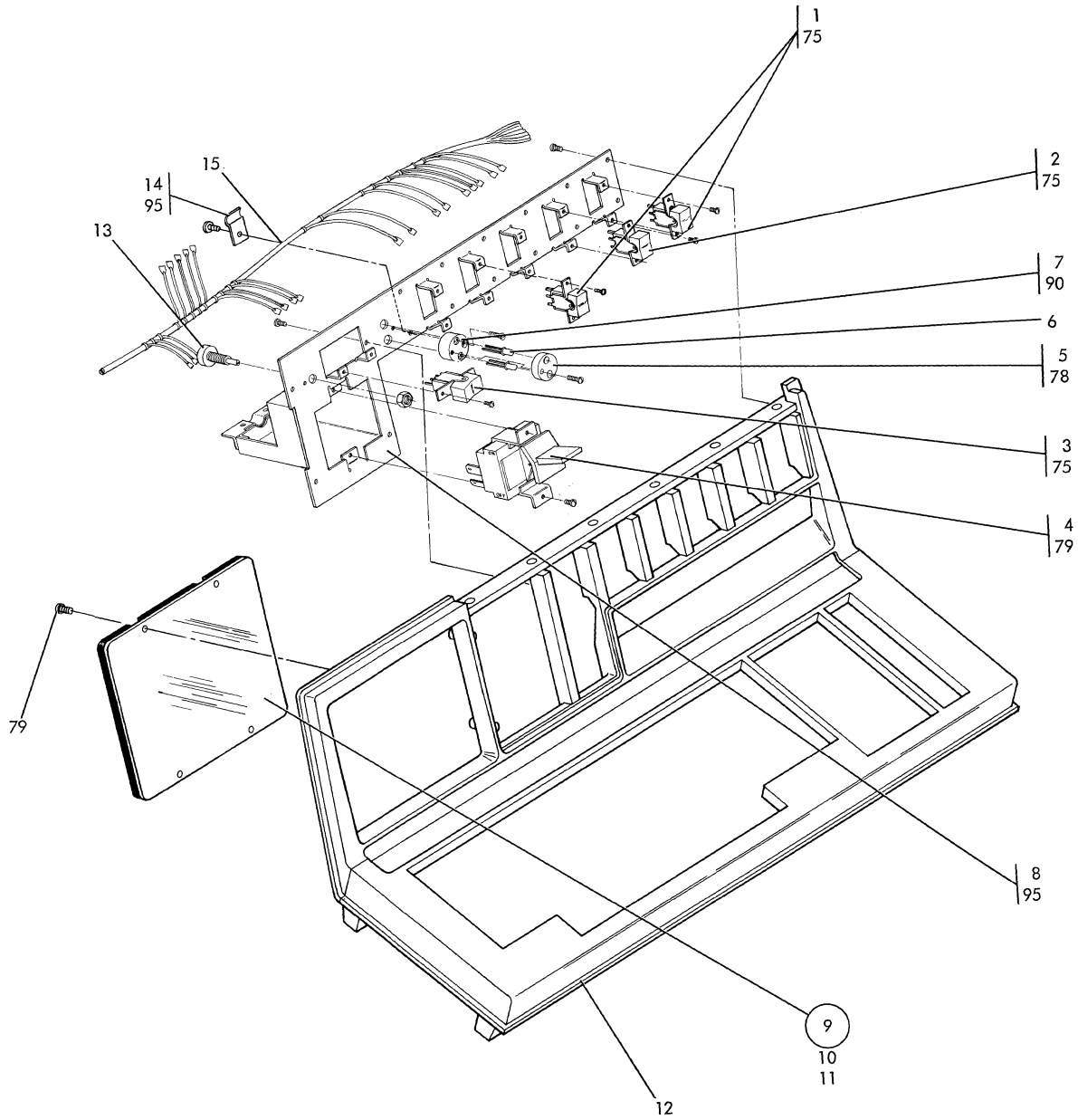


FIGURE 4. CONTROL PANEL ASSEMBLY. SEE LIST 4.



FOR PARTS  
NOT SHOWN  
SEE FIG. 3

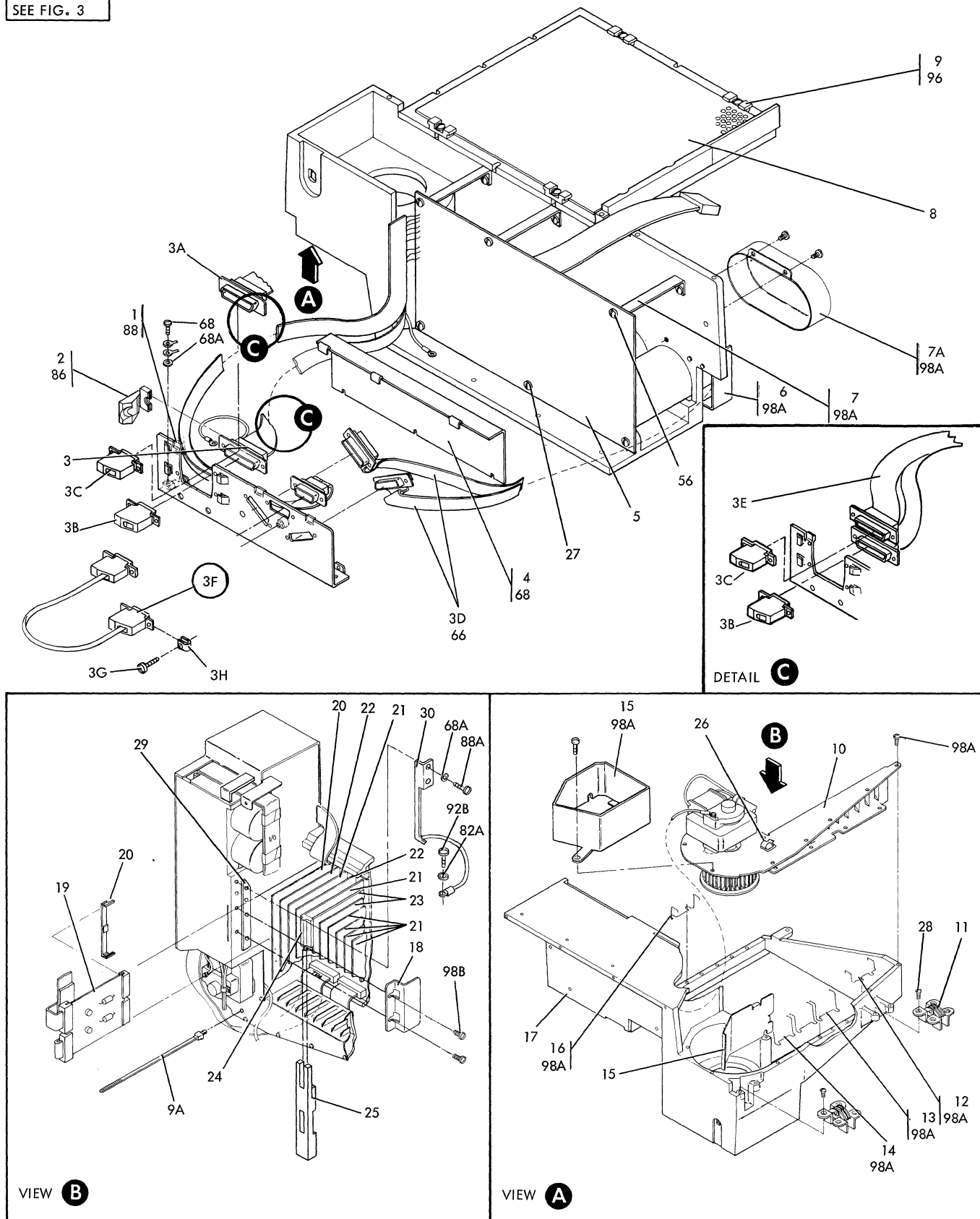


FIGURE 5. GATE ASSEMBLY. SEE LIST 5.

FIGURE- INDEX NUMBER	PART NUMBER	UNITS PER ASM.	DESCRIPTION FOR FIGURE 5			
			1	2	3	4
5	1608850		• GATE ASM FOR NEXT HIGHER ASM SEE LIST 3-1 AND FOR ILLUSTRATION FIG. 5			
- 1	1608400	1	• BRACKET,RECEPTACLE MOUNTING			
- 2	1608589	8	• CLIP			
- 3	1608878	1	• CABLE ASM,COMM FEATURE ONLY			
- 3A	1608380	1	• CABLE ASM,SERIAL I/O FEATURE			
- 3B	1608894	1	• WRAP ADAPTER,COMM			
- 3C	1608382	1	• WRAP ADAPTER,SERIAL I/O			
- 3D	1608491	1	• CABLE ASM,I/O DRIVE			
- 3E	1608379	1	• CABLE ASM,SERIAL I/O AND COMM			
- 3F	1608553	1	• CABLE ASM,COMM-EXTERNAL			
- 3F	1608381	1	• CABLE ASM,SERIAL I/O TERMINAL			
- 3F	1608383	1	• CABLE ASM,SERIAL I/O MODEM			
- 3G	1608497	4	• • SCREW			
- 3H	1608438	4	• • CLIP			
- 4	1608281	1	• RACEWAY			
- 5	5564570	1	• POWER SUPPLY ASM,100/115V			
- 5	5564569	1	• POWER SUPPLY ASM,220/235V			
- 6	1608897	1	• BRACKET,HOLD DOWN			
- 7	1608859	3	• BRACKET,POWER SUPPLY			
- 7A	1608330	1	• COVER			
- 8	1608552	1	• BOARD ASM			
- 9	813179	5	• CLIP			
- 9A	852303	1	• CLAMP,CABLE-TPA FEATURE ONLY			
- 10	1608828	1	• BLOWER ASM,100/115V			
- 10	1608533	1	• BLOWER ASM,220V 50 HZ			
- 10	2451275	1	• BLOWER ASM,235V 50 HZ			
- 11	364312	2	• HINGE			
- 12	1608481	1	• STRAIN RELIEF			
- 13	1608482	2	• STRAIN RELIEF			
- 14	1608482	1	• STRAIN RELIEF,COM AND/OR SERIAL I/O			
- 15	1608320	1	• PLATE,60 HZ			
- 15	1608199	1	• SHIELD,50 HZ			
- 16	1608426	1	• STRAIN RELIEF			
- 17	2451319	1	• GATE FRAME			
- 17			USED ON MACHINES WITHOUT EC 829611 B/M INCLUDES SCREWS AND REF DRAWING			
- 17	2451263	1	• GATE FRAME			
- 17			USED ON MACHINES WITH EC 829611 WHICH REMOVED THREADED INSERTS AND CHANGED TO THREAD FORMING SCREWS			
- 18	1608352	1	• RETAINER,I/O FEATURE ONLY			
- 19	1608491	1	• I/O DRIVE ASM			
- 20	811804	1	• GUIDE,CARD I/O FEATURE ONLY			
- 21	818002	6	• GUIDE,CARD 2 WIDE			
- 22	819408	2	• GUIDE,CARD 4 WIDE			
- 23	8240000	2	• GUIDE,CARD-F2,G2			
- 24	2731026	2	• CONNECTOR ASM,CROSSOVER			
- 25	1608307	1	• CUSHION,CARD			
- 26	2596291	1	• CLAMP			
- 27	10170	3	• SCREW,MACH BIND HD 6-32 X 1/4 LG USED ON MACHINES WITHOUT EC 829611			
- 27	1608277	3	• SCREW,THD FORM HEX WSHR HD 6-19 X 3/8 LG USED ON MACHINES WITH EC 829611 WHICH REMOVED THREADED INSERTS AND CHANGED TO THREAD FORMING SCREWS			
- 28	38443	4	• SCREW,MACH FLAT HD 6-32 X 5/16 LG USED ON MACHINES WITHOUT EC 829611			
- 28	2451199	4	• SCREW,THD FORM HEX HD 6-19 X 5/8 LG USED ON MACHINES WITH EC 829611 WHICH REMOVED THREADED INSERTS AND CHANGED TO THREAD FORMING SCREWS			
- 29	2451249	1	• PLATE			
- 30	2451246	1	• SUPPORT ASM			
			FOR ATTACHING PARTS, INDEX NOS. 50 AND ABOVE, SEE LIST 13			

FOR PARTS  
NOT SHOWN  
SEE FIG. 3

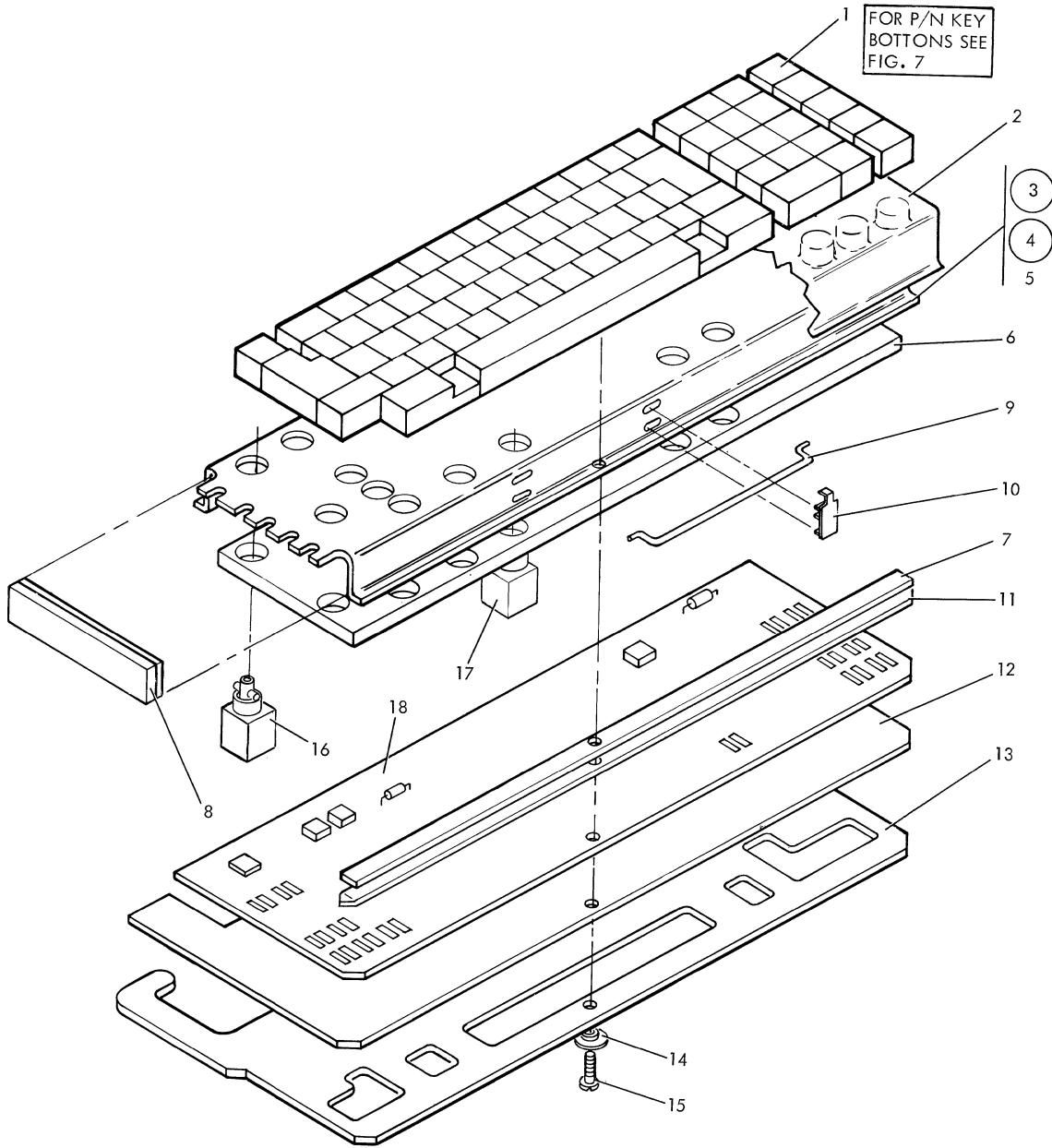
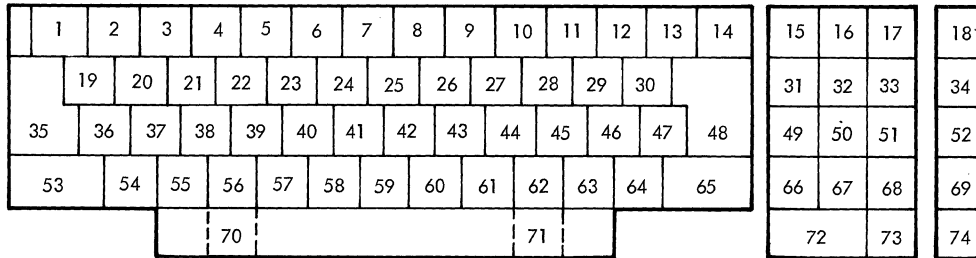


FIGURE 6. KEYBOARD ASSEMBLY, BASIC. SEE LIST 6.







APL AND BASIC				BASIC				APL			
POS	PART NUMBER	POS	PART NUMBER	POS	PART NUMBER	POS	PART NUMBER	POS	PART NUMBER	POS	PART NUMBER
1	1853827	38	5995719	1	1854080	38	5995694	1	1853827	38	1853852
2	1853828	39	5995720	2	1855277	39	5995695	2	1853828	39	1853853
3	1853829	40	5995721	3	1853829	40	5995696	3	1853829	40	1853854
4	1853830	41	5995722	4	1853830	41	5995697	4	1853830	41	1853855
5	1853831	42	5995723	5	1853831	42	5995698	5	1853831	42	1853856
6	1853832	43	5995699	6	1853832	43	5995699	6	1853832	43	1853857
7	1853820	44	5995724	7	1853820	44	5995700	7	1853820	44	1853858
8	1853834	45	5995701	8	1853834	45	5995701	8	1853834	45	1853859
9	1853835	46	1853860	9	1855278	46	1853860	9	1853835	46	1853860
10	1853836	47	1855286	10	1854093	47	1855286	10	1853836	47	1855286
11	1853837	48	1855274	11	1853837	48	1855274	11	1853837	48	1855274
12	1853838	49	1855290	12	1853775	49	1855290	12	1853838	49	1855290
13	1855279	50	1855291	13	1855279	50	1855291	13	1855279	50	1855291
14	1855280	51	1855292	14	1855280	51	1855292	14	1855280	51	1855292
15	1855436	52	1855330	15	1855436	52	1855298	15	1855436	52	1855312
16	1855434	53	1855308	16	1855434	53	1855308	16	1855434	53	1855308
17	1855433	54	5995725	17	1855433	54	5995702	17	1855433	54	1853861
18	1855435	55	5995726	18	1855435	55	5995703	18	1855435	55	1853862
19	5995682	56	5995727	19	5995682	56	5995704	19	1853839	56	1853863
20	5995710	57	5995728	20	5995683	57	5995705	20	1853840	57	1853864
21	5995711	58	5995729	21	5995684	58	5995706	21	1853841	58	1853865
22	5995712	59	5995730	22	5995685	59	5995707	22	1853842	59	1853866
23	5995713	60	5995708	23	5995686	60	5995708	23	1853843	60	1853867
24	5995687	61	5995709	24	5995687	61	5995709	24	1853844	61	1853868
25	5995714	62	1853869	25	5995688	62	1853869	25	1853845	62	1853869
26	5995715	63	1853870	26	5995689	63	1855305	26	1853846	63	1853870
27	5995716	64	1855306	27	5995690	64	1855306	27	1853847	64	1855306
28	5995691	65	1855310	28	5995691	65	1855310	28	1853848	65	1855310
29	1855323	66	1855287	29	1853776	66	1855287	29	1855323	66	1855287
30	1853888	67	1855288	30	1853888	67	1855288	30	1853888	67	1855288
31	1855293	68	1855289	31	1855293	68	1855289	31	1855293	68	1855289
32	1855294	69	1855299	32	1855294	69	1855299	32	1855294	69	1855299
33	1855295	70	1748111	33	1855295	70	1748111	33	1855295	70	1748111
34	1855329	71	1748111	34	1855297	71	1748111	34	1855311	71	1748111
35	1855276	72	1855270	35	1855276	72	1855270	35	1855276	72	1855270
36	5995717	73	1855296	36	5995692	73	1855296	36	1853850	73	1855296
37	5995718	74	1855300	37	5995693	74	1855300	37	1853851	74	1855300

FIGURE 7. KEYBUTTON CHART POSITIONS.

THIS PAGE INTENTIONALLY LEFT BLANK

FOR PARTS  
NOT SHOWN  
SEE FIG. 3

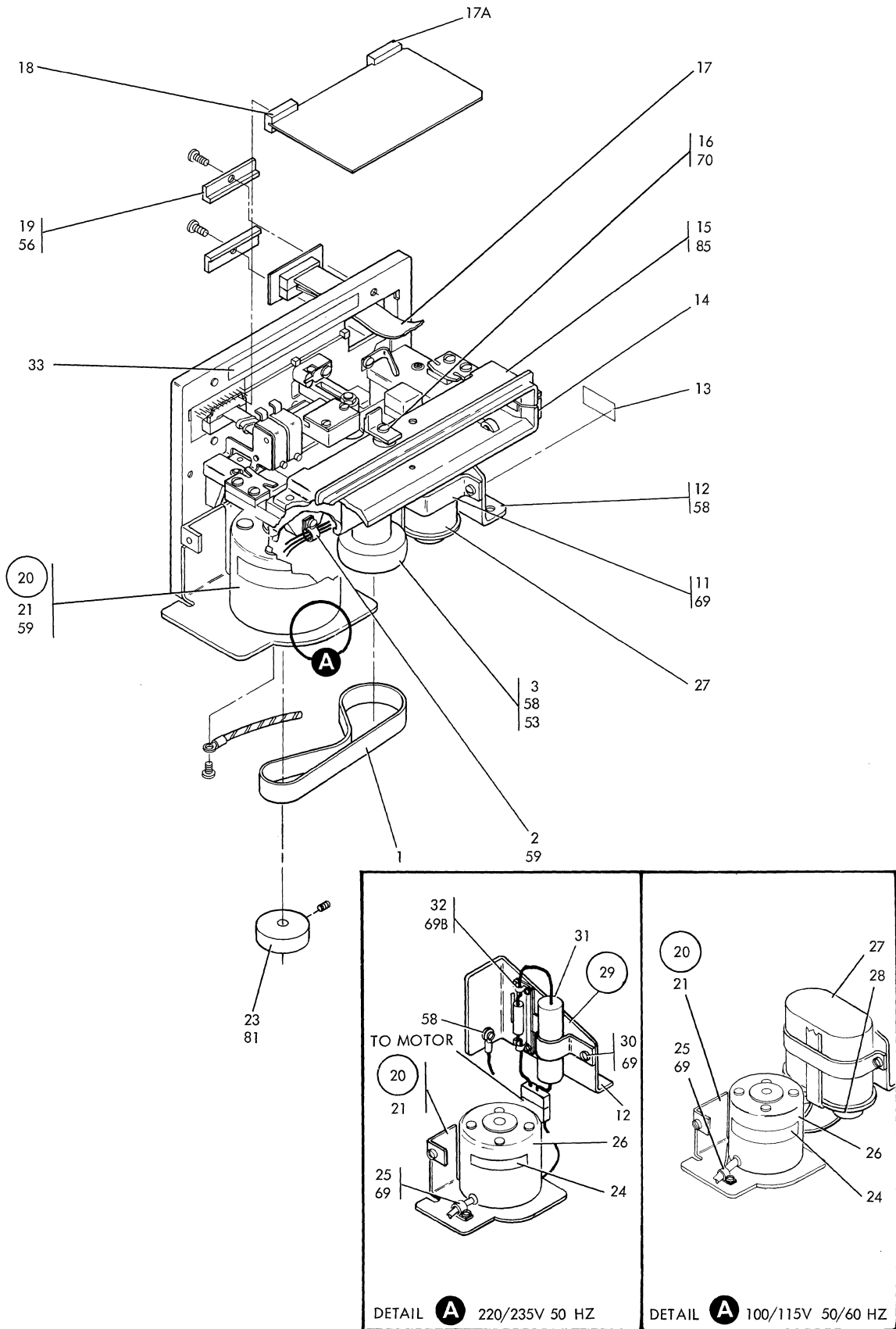


FIGURE 8. TAPE DRIVE ASSEMBLY. SEE LIST 8.

FIGURE- INDEX NUMBER	PART NUMBER	UNITS PER ASM.	DESCRIPTION FOR FIGURE 8			
			1	2	3	4
8	1608706 1608524 1608525		TAPE DRIVE ASM,100/115V 60 HZ TAPE DRIVE ASM,100V 50 HZ TAPE DRIVE ASM,220V 50 HZ			
	1608526		TAPE DRIVE ASM,235V 50 HZ TAPE CONTROL CARD MUST BE ORDERED SEPARATELY			
			FOR NEXT HIGHER ASM SEE LIST 3-13 AND FOR ILLUSTRATION FIG. 8			
- 1	1608754	1	• BELT			
- 2	204363	1	• CLAMP			
- 3	1608794	1	• JACKSHAFT ASM			
- 11	1608755	1	• CLAMP,CAPACITOR 100/115V			
- 12	1608786	1	• BRACKET,MOUNTING			
- 13	138746	1	• LABEL			
- 14	1608714	2	• GUIDE			
- 15	1608741	1	• BEZEL			
- 16	1608763	1	• CLAMP,CARD			
- 17	1608785	1	• CABLE ASM,EXTERNAL			
- 17A	813590	1	• GUIDE,CARD			
- 18	8527645	1	• CARD ASM			
- 19	1608764	2	• CLAMP,CONNECTOR			
- 20	1608793	1	• MOTOR ASM,100/115V 60 HZ			
- 20	1608530	1	• MOTOR ASM,100V 50 HZ			
- 20	1608531	1	• MOTOR ASM,220V 50 HZ			
- 20	1608532	1	• MOTOR ASM,235V 50 HZ			
- 21	1608721	1	• MOUNT,MOTOR			
- 23	1608722	1	• PULLEY 60 HZ			
- 23	1608100	1	• PULLEY 50 HZ			
- 24	2455036	1	• LABEL,MOTOR			
- 25	169698	1	• CLAMP			
- 26	1608753	1	• MOTOR,100/115V 50/60 HZ			
- 26	1608284	1	• MOTOR,220V 50 HZ			
- 26	1608115	1	• MOTOR,235V 50 HZ			
- 27	5252836	1	• CAPACITOR,100/115V 50/60 HZ			
- 28	526378	2	• INSULATOR			
- 29	2451253	1	• CAPACITOR/RESISTOR CLAMP ASM,220V 50 HZ			
- 29	2451259	1	• CAPACITOR/RESISTOR CLAMP ASM,235V 50 HZ			
- 30	2451251	1	• CLAMP			
- 31	2451254	1	• CAPACITOR RESISTOR ASM,220V 50 HZ			
- 31	2451258	1	• CAPACITOR RESISTOR ASM,235V 50 HZ			
- 32	2451252	1	• CLAMP			
- 33	1608282	1	• LABEL			
			FOR ATTACHING PARTS, INDEX NOS. 50 AND ABOVE, SEE LIST 13			

FOR PARTS  
NOT SHOWN  
SEE FIG. 3

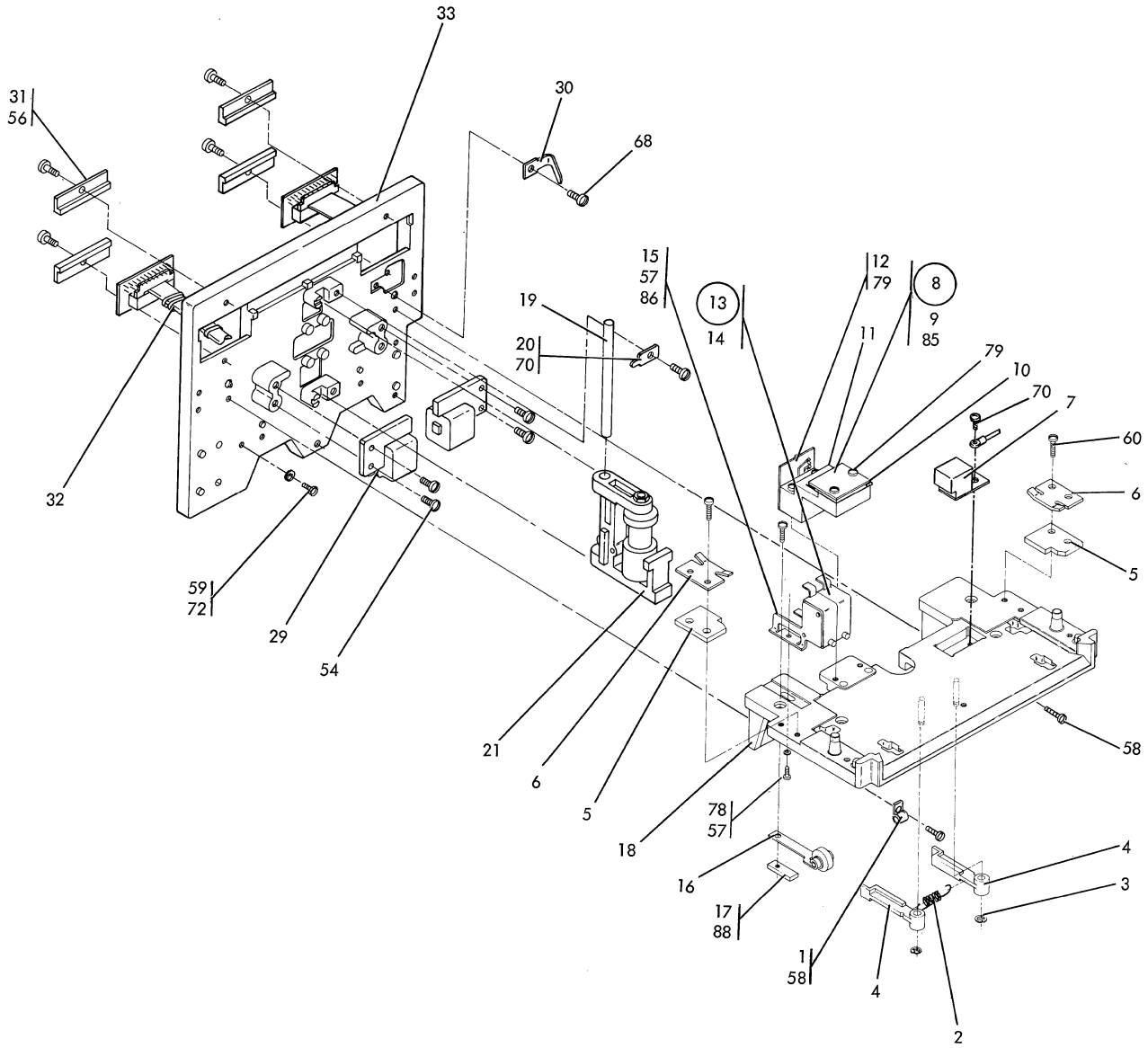


FIGURE 9. TAPE DRIVE ASSEMBLY. SEE LIST 9.

FIGURE-INDEX NUMBER	PART NUMBER	UNITS PER ASM.	DESCRIPTION FOR FIGURE 9			
			1	2	3	4
9	1608706 1608524 1608525 1608526		TAPE DRIVE ASM,100/115V 60 HZ TAPE DRIVE ASM,100V 50 HZ TAPE DRIVE ASM,220V 50 HZ TAPE DRIVE ASM,235V 50 HZ TAPE CONTROL CARD MUST BE ORDERED SEPARATELY FOR NEXT HIGHER ASM SEE LIST 3-13 AND FOR ILLUSTRATION FIG. 9			
- 1	204363	1	• CLAMP			
- 2	1608746	1	• SPRING,BRAKE ARM			
- 3	2175670	2	• CLIP,RETAINING			
- 4	1608720	2	• ARM,BRAKE			
- 5	1608743	2	• STOP			
- 6	1608758	2	• GUIDE			
- 7	1608752	1	• READ HEAD			
- 8	1608796	1	• LED PTX ASM			
- 9	1608781	1	• • BOARD PTX			
- 10	1608798	1	• • SHIELD,PTX			
- 11	1608772	1	• • HOLDER ASM			
- 12	1608784	1	• • BOARD,LED			
- 13	1608797	1	• SWITCH ASM			
- 14	1608599	2	• • SWITCH			
- 15	1608765	1	• • BRACKET			
- 16	1608738	4	• LOCK WHEEL ASM			
- 17	1608733	4	• CLAMP			
- 18	1608707	1	• UPRIGHT			
- 19	1608734	1	• SHAFT,SELECT PIVOT ARM			
- 20	1608737	2	• CLAMP,PIVOT SHAFT			
- 21	1608795	1	• SELECT ARM ASM			
- 29	1608728	2	• CORE ASM			
- 30	1608778	1	• DEFLECTOR			
- 31	1608764	2	• CLAMP			
- 32	1608750	1	• CABLE ASM,INTERNAL			
- 33	1608748	1	• BASE			
			FOR ATTACHING PARTS, INDEX NOS. 50 AND ABOVE, SEE LIST 13			

FOR PARTS  
NOT SHOWN  
SEE FIG. 3

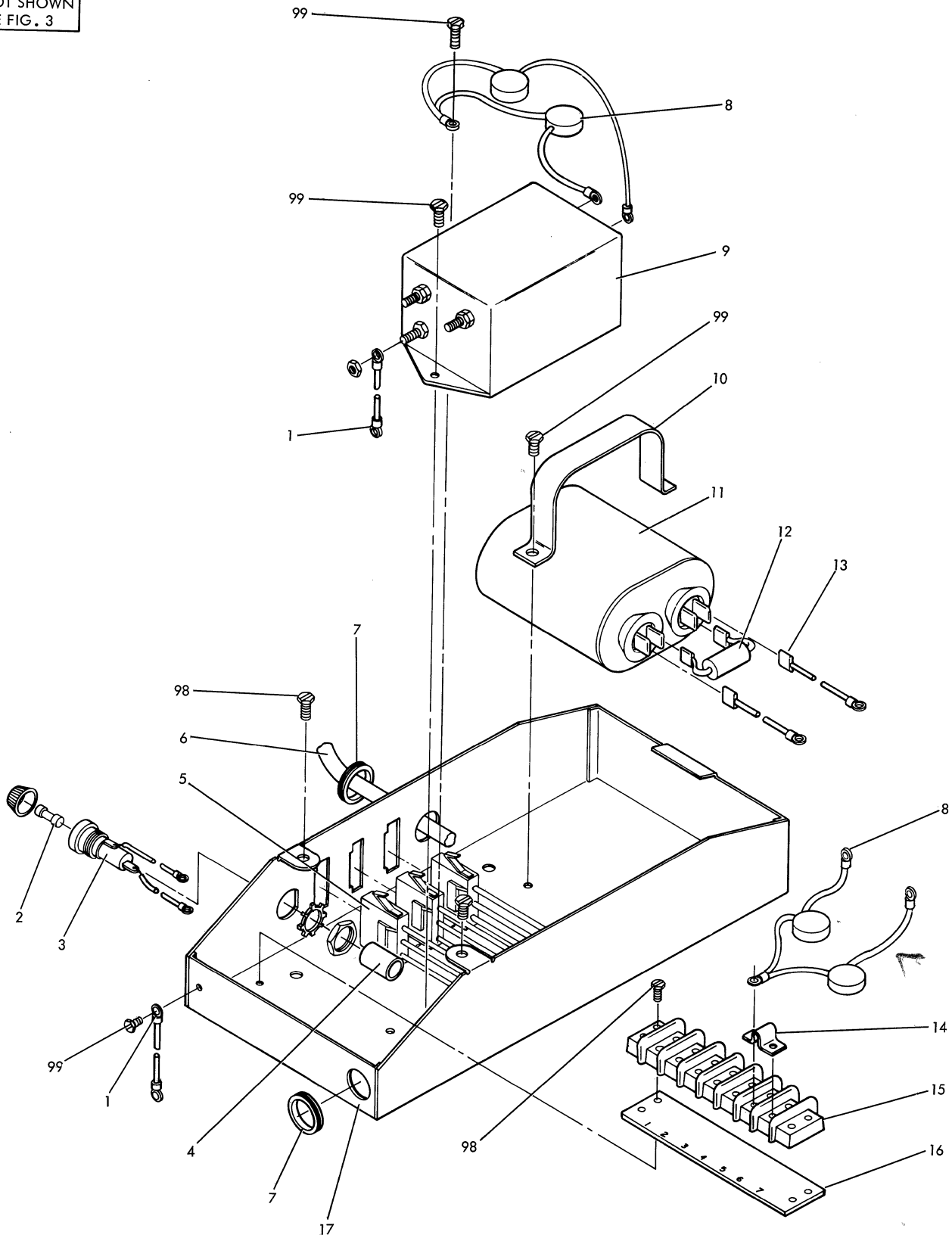


FIGURE 10. AC BOX ASM, OLD STYLE. SEE LIST 10.



FIGURE- INDEX NUMBER	PART NUMBER	UNITS PER ASM.	DESCRIPTION FOR FIGURE 10			
			1	2	3	4
10	1608870		AC BOX ASM OLD STYLE FOR NEXT HIGHER ASM SEE LIST 3-9 AND FOR ILLUSTRATION FIG. 10			
- 1	1608867	2	• JUMPER ASM			
- 2	512137	1	• FUSE, 5 AMP			
- 3	1608549	1	• FUSEHOLDER ASM			
- 4	642763	1	• INSULATOR			
- 5	1608877	1	• CABLE ASM			
- 6	1608545	1	• CABLE ASM			
- 7	602484	2	• GROMMET			
- 8	1608347	2	• CAPACITOR			
- 9	1860276	1	• LINE FILTER			
- 10	1608591	1	• CLAMP			
- 11	5252805	1	• CAPACITOR			
- 12	1608895	1	• RESISTOR			
- 13	1608858	2	• JUMPER ASM			
- 14	1143227	1	• JUMPER			
- 15	512071	1	• TERMINAL BLOCK			
- 16	362243	1	• MARKER STRIP			
- 17	1608872	1	• BOX			
			FOR ATTACHING PARTS, INDEX NOS. 50 AND ABOVE, SEE LIST 13			

FOR PARTS  
NOT SHOWN  
SEE FIG. 3

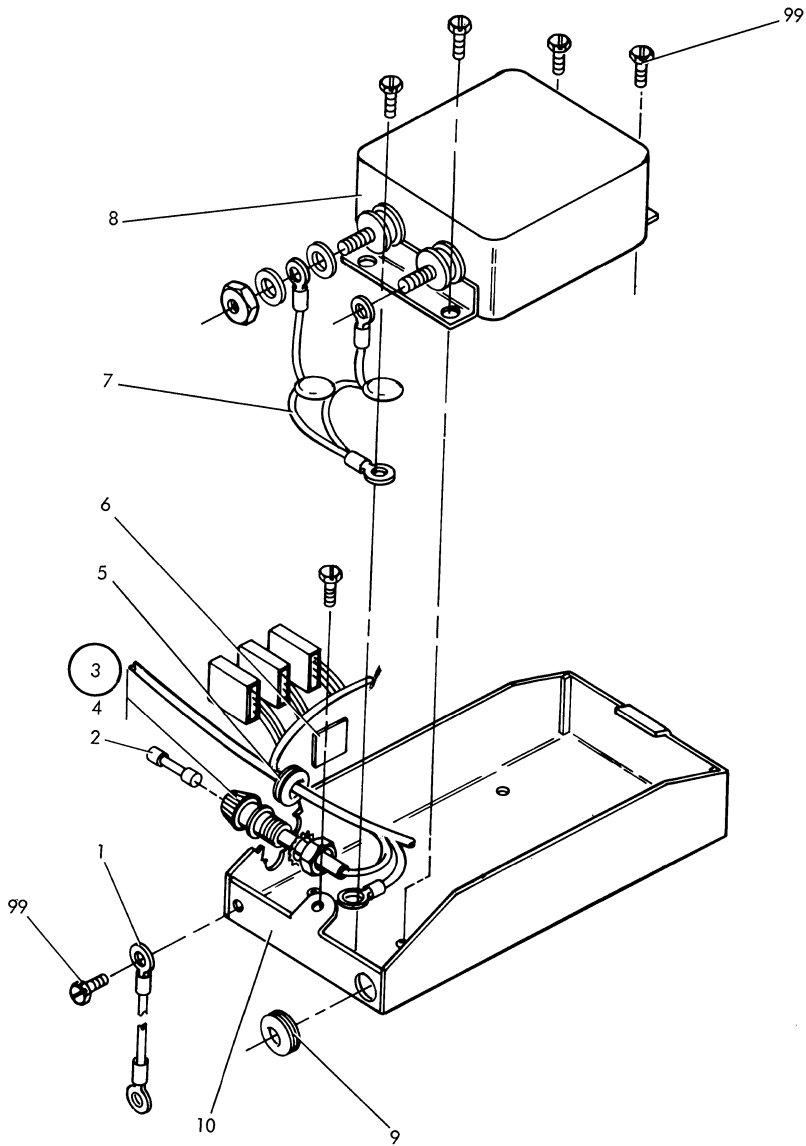


FIGURE 11. AC BOX, NEW STYLE. SEE LIST 11.



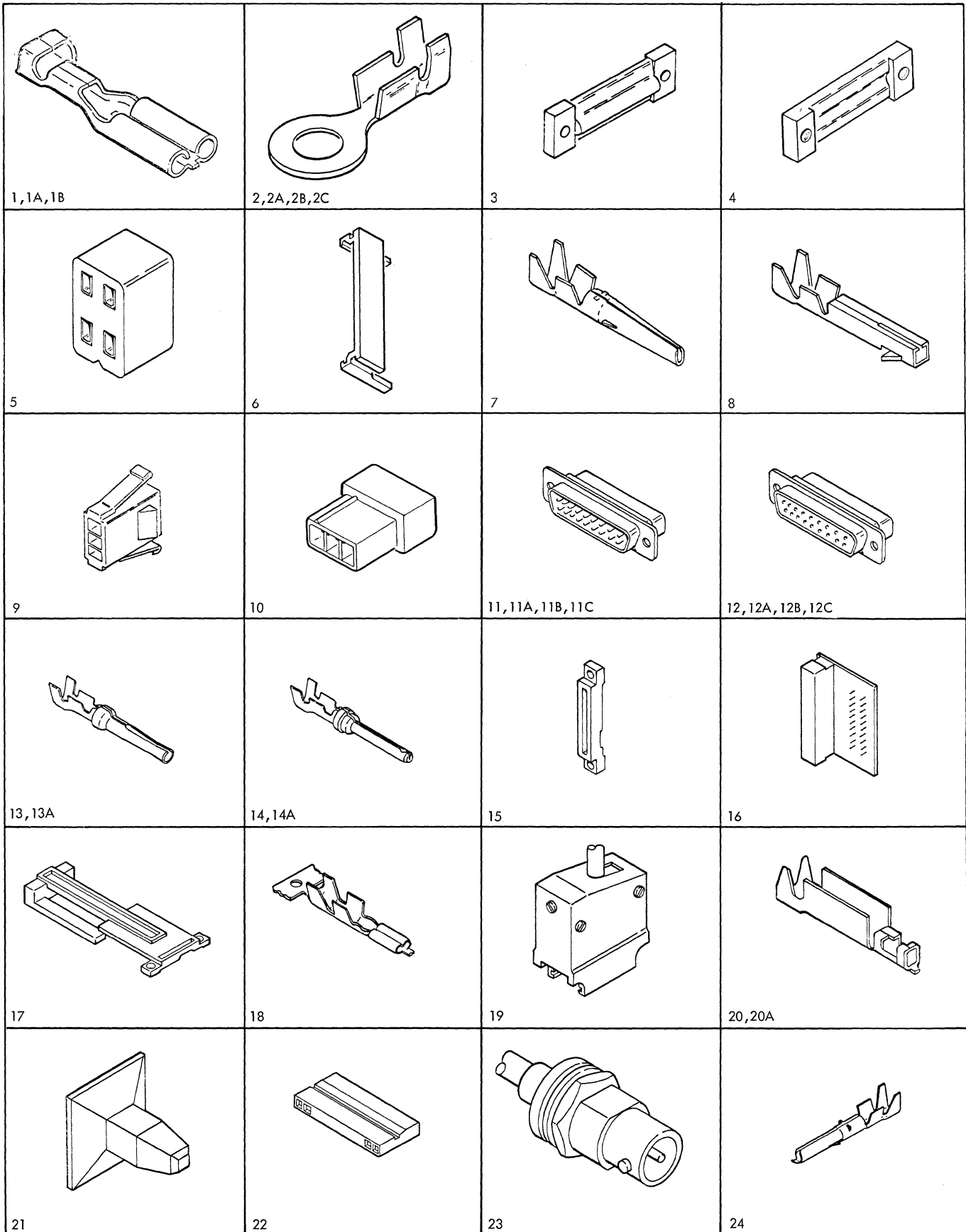


FIGURE 12. CABLE AND JUMPER ASSEMBLY COMPONENT PARTS. SEE LIST 12.

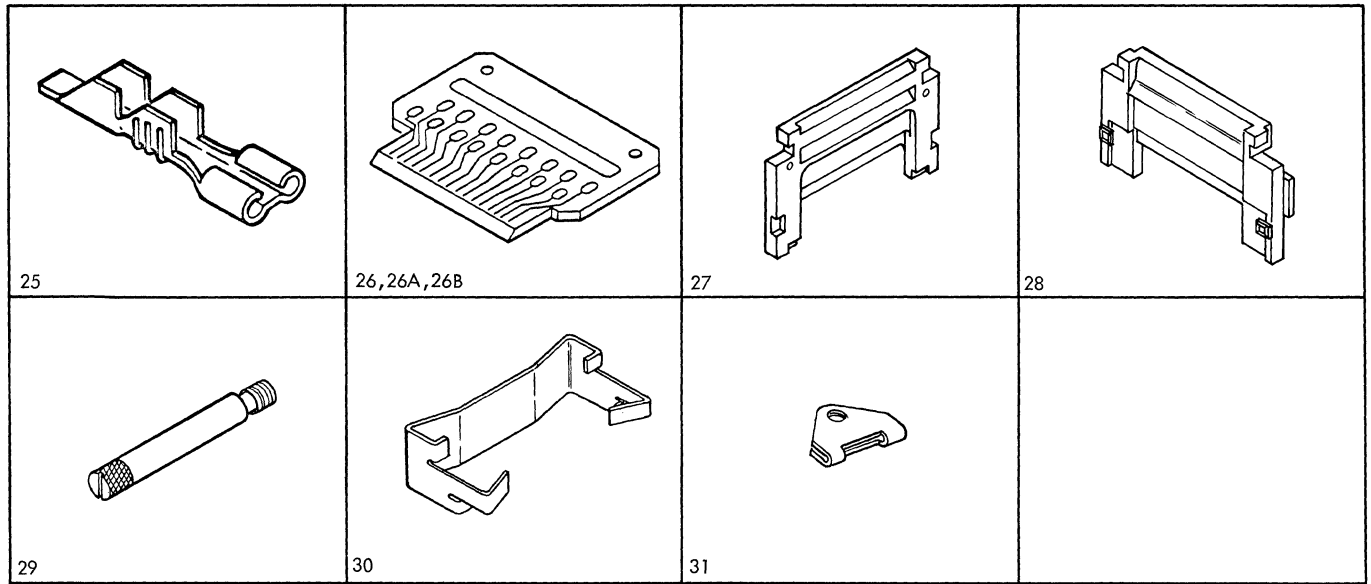


FIGURE 12. CABLE AND JUMPER ASSEMBLY COMPONENT PARTS. SEE LIST 12.

FIGURE- INDEX NUMBER	PART NUMBER	UNITS PER ASM.	DESCRIPTION FOR FIGURE 12			
			1	2	3	4
12	NO NO.		CABLE AND JUMPER ASM COMPONENT PARTS			
- 1	236916		• TERMINAL,SLIP ON 24-22 AWG			
- 1A	430798		• TERMINAL,SLIP ON 20-18 AWG			
- 1B	430799		• TERMINAL,SLIP ON 24-18 AWG			
- 2	483676		• TERMINAL,RING 26-22 AWG NO. 6 HOLE			
- 2A	483677		• TERMINAL,RING 20-18 AWG NO. 6 HOLE			
- 2B	483678		• TERMINAL,RING 16-14 AWG NO. 6 HOLE			
- 2C	483681		• TERMINAL,RING 20-18 AWG NO. 8 HOLE			
- 2D	483682		• TERMINAL,RING 16-14 AWG NO. 8 HOLE			
- 3	652650		• STRAIN RELIEF,26-28 AWG			
- 4	652651		• STRAIN RELIEF			
- 5	681963		• PLUG			
- 6	811802		• CARD GUIDE,6 PAC			
- 7	1166114		• TERMINAL,PIN 22-18 AWG			
- 8	1166115		• TERMINAL,SOCKET 22-18 AWG			
- 9	1166116		• HOUSING,SOCKET TERMINAL			
- 10	1166117		• HOUSING,PIN TERMINAL			
- 11	1655338		• PLUG,25 POS			
- 11A	1608649		• PLUG,15 POS			
- 11B	1608688		• PLUG,25 POS			
- 11C	1655338		• CONNECTOR,PLUG 25 POS			
- 12	1655336		• RECEPTACLE,25 POS			
- 12A	1608648		• RECEPTACLE,15 POS			
- 12B	1608689		• RECEPTACLE,25 POS			
- 12C	1655336		• CONNECTOR,RECEPTACLE 25 POS			
- 13	1655337		• TERMINAL,PIN 24-20 AWG			
- 13A	1655337		• SOCKET,20-24 AWG			
- 14	1655339		• TERMINAL,PIN 24-20 AWG			
- 14A	1655339		• PIN,CONTACT 20-24 AWG			
- 15	1608761		• CLAMP,CABLE			
- 16	1608762		• CONNECTOR			
- 17	1608777		• CLAMP,CABLE EXTERNAL			
- 18	1608893		• TERMINAL,SLIP ON 24-20 AWG			
- 19	1855555		• HOUSING			
- 19A	1855555		• SHIELD			
- 20	2637682		• CONNECTOR-DISCRETE 26-22 AWG			
- 20A	2637692		• CONNECTOR-DISCRETE 32-28 AWG			
- 21	2637689		• INSERT,POLARIZATION			
- 22	2731850		• HOUSING,1 X 4			
- 23	5252531		• CONNECTOR			
- 24	5412642		• TERMINAL,PIN 16-14 AWG			
- 25	5412817		• TERMINAL,QUICK DISCONNECT			
- 26	5800634		• CARD			
- 26A	5800674		• CARD			
- 26B	5999990		• CARD			
- 26C	656986		• CARD			
- 27	813803		• STRAIN RELIEF			
- 28	813804		• STRAIN RELIEF			
- 29	1608497		• PIN			
- 30	1608350		• CLIP			
- 31	1608438		• RETAINER			

FIGURE- INDEX NUMBER	PART NUMBER	UNITS PER ASM.	DESCRIPTION FOR FIGURE 13			
			1	2	3	4
13			ATTACHING PARTS			
- 50	641		• SCREW,MACH-FIL HD 8-32 X 3/4 LG			
- 51	2179		• SCREW,MACH-FLAT HD 8-32 X 5/8 LG			
- 52	3587		• SCREW,MACH-FLAT HD 8-32 X 1-1/2 LG			
- 53	4569		• WASHER,FLAT NO. 8 X 1/2 OD X 1/16 THK			
- 54	5528		• SCREW,MACH-BIND HD 8-32 X 5/8 LG			
- 55	6364		• WASHER,LOCK-SPLIT NO. 6 X 1/4 OD			
- 56	10170		• SCREW,MACH-BIND HD 6-32 X 1/4 LG			
- 57	20038		• WASHER,FLAT .128 ID X 5/16 OD X 1/32 THK			
- 58	25627		• SCREW,MACH-BIND HD 8-32 X 1/2 LG			
- 59	34512		• SCREW,MACH-BIND HD 8-32 X 3/8 LG			
- 60	35739		• SCREW,MACH-BIND HD 6-32 X 7/16 LG			
- 61	37913		• NUT,HEX 4-40			
- 62	38352		• SCREW,MACH-FIL HD 6-32 X 3/8 LG			
- 63	38442		• SCREW,MACH-FLAT HD 6-32 X 1/4 LG			
- 64	38443		• SCREW,MACH-FLAT HD 6-32 X 5/16 LG			
- 65	38457		• SCREW,MACH-FLAT HD 8-32 X 3/4 LG			
- 66	48548		• SCREW			
- 67	52522		• SCREW,MACH-FLAT HD 4-40 X 5/16 LG			
- 68	55726		• SCREW,MACH-BIND HD 6-32 X 3/16 LG			
- 68A	56722		• WASHER,LOCK-EXT T .141 ID			
- 69	58207		• SCREW,MACH-BIND HD 8-32 X 1/4 LG			
- 69A	62031		• WASHER,LOCK-INT T NO. 6 X .295 OD			
- 69B	67873		• SCREW,THD FORM-PAN HD 4-40 X .188 LG			
- 70	81693		• SCREW,MACH-BIND HD 6-32 X 3/8 LG			
- 71	109317		• SCREW,MACH-FLAT HD 8-32 X 1 LG			
- 72	120571		• WASHER,FLAT 1/4 ID X 5/8 OD X 1/16 THK			
- 73	149897		• SCREW,CAP-SOC HD 8-32 X 3/8 LG			
- 74	170225		• SCREW AND WSHR 6-32 X 7/16 LG			
- 75	186399		• SCREW,MACH-BIND HD 2-56 X 3/16 LG			
- 75A	186636		• SCREW,MACH-BIND HD 5-40 X 1/8 LG			
- 76	186758		• SCREW,MACH-BIND HD 8-32 X 7/16 LG			
- 77	186759		• SCREW,MACH-BIND HD 8-32 X 5/16 LG			
- 78	236550		• SCREW,MACH-BIND HD 4-40 X 3/8 LG			
- 79	251970		• SCREW,MACH-BIND HD 4-40 X 1/4 LG			
- 80	257187		• NUT,HEX 6-32			
- 81	257958		• SETSCREW,6 FLUTE HD-FL PT 4-40 X 3/16 LG			
- 82	257984		• WASHER,LOCK-SPLIT .115 ID X .212 OD			
- 82A	257986		• WASHER FLAT .156 ID .312 OD X .035 THK			
- 83	322550		• SCREW,MACH-BIND HD 6-32 X 1/2 LG			
- 84	322551		• SCREW,MACH-BIND HD 6-32 X 3/4 LG			
- 85	322552		• SCREW,MACH-BIND HD 6-32 X 7/8 LG			
- 86	338238		• SCREW,MACH-BIND HD 4-40 X 5/16 LG			
- 87	438545		• SCREW,MACH-BIND HD 2-56 X 7/8 LG			
- 88	438548		• SCREW,MACH-BIND HD 4-40 X 3/16 LG			
- 88A	438566		• SCREW,MACH-BIND HD 6-32 X 1/8 LG			
- 89	438597		• SCREW,MACH-FLAT HD 8-32 X 1-3/4 LG			
- 90	472729		• SCREW,MACH-FLAT HD 4-40 X 3/8 LG			
- 91	1138796		• WASHER,FLAT .113 ID X .328 OD			
- 92	1177294		• SCREW			
- 92A	1608267		• SCREW			
- 92B	1608277		• SCREW,THD FORM-HEX WSHR HD 6-19 X 3/8 LG			
- 92C	1608287		• SCREW,MACH-FLAT SOC HD 8-32 X 3/4 LG			
- 92D	1608288		• SCREW,MACH-FLAT SOC HD 8-32 X 1 LG			
- 92E	1608293		• SCREW,MACH FLAT HD 8-32 X 1-3/4			
- 93	1608427		• SCREW,THD FORM-HEX WSHR HD 6-19 X 1/2 LG			
- 94	1608428		• SCREW,THD FORM-HEX WSHR HD 1/4 LG			
- 95	1608429		• SCREW,THD FORM-HEX WSHR HD 4-20 X 1/4 LG			
- 96	1608430		• SCREW,THD FORM-HEX WSHR HD 6-19 X 3/8 LG			
- 97	1786825		• SCREW			
- 98	2181011		• SCREW,THD FORM-HEX WSHR HD 6-32 X 1/2 LG			
- 98A	2451197		• SCREW,THD FORM HEX WSHR HD 6-19 X 5/16 LG			
- 98B	2451224		• SCREW,THD FORM HEX WSHR HD 8-16 X 7/16 LG			
- 99	5350006		• SCREW,THD FORM-HEX WSHR HD 6-32 X 1/2 LG			

THIS PAGE INTENTIONALLY LEFT BLANK



## NUMERICAL INDEX

PART NUMBER	LIST AND INDEX NO.
641	13 - 50
2179	13 - 51
3587	13 - 52
4569	13 - 53
5528	13 - 54
6364	13 - 55
10170	5 - 27
10170	13 - 56
10429	4 - 14
20038	13 - 57
25627	13 - 58
34512	13 - 59
35739	13 - 60
37913	13 - 61
38352	13 - 62
38442	13 - 63
38443	3 - 17
38443	5 - 28
38443	13 - 64
38457	13 - 65
48548	13 - 66
52522	13 - 67
55726	13 - 68
56722	13 - 68A
58207	1 - 24
58207	2 - 18
58207	3 - 18
58207	13 - 69
62031	13 - 69A
67873	13 - 69B
81693	13 - 70
109317	13 - 71
120571	13 - 72
138746	8 - 13
138755	2 - 11
149897	13 - 73
169698	8 - 25
170225	13 - 74
179946	11 - 4
186399	13 - 75
186636	13 - 75A
186758	13 - 76
186759	13 - 77
204363	8 - 2
204363	9 - 1
236550	13 - 78
236916	12 - 1
251970	13 - 79
257187	13 - 80
257958	13 - 81
257984	13 - 82
257986	13 - 82A
303514	3 - 2
322550	13 - 83
322551	13 - 84
322552	13 - 85
338238	13 - 86
362243	10 - 16
364312	5 - 11
369207	1 - 6
430798	12 - 1A
430799	12 - 1B
438545	13 - 87
438548	1 - 23
438548	2 - 4A
438548	13 - 88
438566	13 - 88A
438597	13 - 89
472729	13 - 90
483676	12 - 2
483677	12 - 2A
483678	12 - 2B
483681	12 - 2C
483682	12 - 2D
512071	10 - 15
512137	10 - 2
512137	11 - 2
526378	8 - 28
602484	10 - 7

PART NUMBER	LIST AND INDEX NO.
602484	11 - 5
602484	11 - 9
642763	10 - 4
643779	1 - 25
652650	12 - 3
652651	12 - 4
656986	12 - 26C
681963	12 - 5
811802	12 - 6
811804	5 - 20
813179	5 - 9
813590	8 - 17A
813803	12 - 27
813804	12 - 28
818002	5 - 21
819408	5 - 22
852303	5 - 9A
855252	11 - 2
1138796	13 - 91
1143227	10 - 14
1166114	12 - 7
1166115	12 - 8
1166116	12 - 9
1166117	12 - 10
1177294	13 - 92
1589131	4 - 13
1608100	8 - 23
1608101	11 - 8
1608115	8 - 26
1608118	3 - 9
1608118	11
1608119	11 - 7
1608120	11 - 3
1608129	1 - 16
1608130	1 - 16
1608131	1 - 16
1608132	1 - 16
1608133	1 - 16
1608135	1 - 12
1608136	1 - 12
1608137	1 - 12
1608138	1 - 12
1608145	1 - 15
1608146	1 - 15
1608147	1 - 15
1608148	1 - 15
1608155	1 - 10
1608156	1 - 10
1608157	1 - 10
1608158	1 - 10
1608165	1 - 9
1608166	1 - 9
1608167	1 - 9
1608168	1 - 9
1608175	1 - 3A
1608176	1 - 3A
1608177	1 - 3A
1608178	1 - 3A
1608180	1 - 20
1608198	11 - 10
1608199	5 - 15
1608267	13 - 92A
1608277	5 - 27
1608277	13 - 92B
1608281	5 - 4
1608282	8 - 33
1608284	8 - 26
1608287	13 - 92C
1608288	13 - 92D
1608289	1 - 20
1608291	1 - 18
1608293	13 - 92E
1608307	5 - 25
1608312	2 - 4
1608313	2 - 4
1608320	5 - 15
1608330	5 - 7A
1608334	1 - 3A
1608336	3 - 8

PART NUMBER	LIST AND INDEX NO.
1608347	10 - 8
1608350	12 - 30
1608352	5 - 18
1608379	5 - 3E
1608380	5 - 3A
1608381	5 - 3C
1608381	5 - 3F
1608382	5 - 3C
1608383	5 - 3C
1608383	5 - 3F
1608400	5 - 1
1608418	2 - 3
1608421	1 - 13
1608426	5 - 16
1608427	13 - 93
1608428	13 - 94
1608429	13 - 95
1608430	13 - 96
1608438	5 - 3H
1608438	12 - 31
1608440	3 - 5
1608471	4 - 9
1608472	4 - 11
1608475	2 - 8
1608477	1 - 12
1608481	5 - 12
1608482	5 - 13
1608482	5 - 14
1608483	1 - 19
1608483	2 - 10
1608491	5 - 3D
1608491	5 - 19
1608497	5 - 3G
1608497	12 - 29
1608524	3 - 13
1608524	8
1608524	9
1608525	3 - 13
1608525	8
1608525	9
1608526	3 - 13
1608526	8
1608526	9
1608530	8 - 20
1608531	8 - 20
1608532	8 - 20
1608533	5 - 10
1608544	3 - 11
1608545	2 - 6
1608545	10 - 6
1608549	10 - 3
1608552	5 - 8
1608553	5 - 3B
1608570	4 - 3
1608571	2 - 15
1608571	4 - 1
1608572	4 - 2
1608589	5 - 2
1608591	10 - 10
1608599	9 - 14
1608648	12 - 12A
1608649	12 - 11A
1608685	4 - 7
1608686	4 - 5
1608688	12 - 11B
1608689	12 - 12B
1608706	3 - 13
1608706	8
1608706	9
1608707	9 - 18
1608714	8 - 14
1608720	9 - 4
1608721	8 - 21
1608722	8 - 23
1608728	9 - 29
1608733	9 - 17
1608734	9 - 19
1608737	9 - 20
1608738	9 - 16

PART NUMBER	LIST AND INDEX NO.
1608741	8 - 15
1608743	9 - 5
1608746	9 - 2
1608748	9 - 33
1608750	9 - 32
1608752	9 - 7
1608753	8 - 26
1608754	8 - 1
1608755	8 - 11
1608758	9 - 6
1608761	12 - 15
1608762	12 - 16
1608763	8 - 16
1608764	8 - 19
1608764	9 - 31
1608765	9 - 15
1608772	9 - 11
1608777	12 - 17
1608778	9 - 30
1608781	9 - 9
1608784	9 - 12
1608785	8 - 17
1608786	8 - 12
1608793	8 - 20
1608794	8 - 3
1608795	9 - 21
1608796	9 - 8
1608797	9 - 13
1608798	9 - 10
1608803	1 - 11
1608803	1 - 14
1608809	1 - 25
1608813	1 - 11
1608816	2 - 17
1608821	4 - 12
1608826	4 - 10
1608827	1 - 8
1608828	5 - 10
1608832	1 - 3
1608833	1 - 2
1608836	3 - 14
1608845	3 - 15
1608846	1 - 17
1608848	3 - 3
1608850	3 - 1
1608850	5
1608856	1 - 21
1608858	10 - 13
1608859	5 - 7
1608865	2 - 7
1608867	10 - 1
1608867	11 - 1
1608870	3 - 9
1608870	10
1608872	10 - 17
1608874	4 - 4
1608876	3 - 8
1608877	10 - 5
1608878	5 - 3
1608879	2 - 13
1608880	2 - 16
1608880	4
1608885	4 - 15
1608886	4 - 8
1608890	1 - 15
1608891	1 - 10
1608892	1 - 9
1608893	12 - 18
1608894	5 - 3B
1608895	10 - 12
1608896	2 - 14
1608897	5 - 6
1608899	2 - 12
1611347	1 - 23
1611347	2 - 4A
1643292	6 - 7
1643293	6 - 11
1643294	6 - 2
1643296	6 - 16

## NUMERICAL INDEX

PART NUMBER	LIST AND INDEX NO.
1643297	6 - 17
1643298	6 - 4
1655336	12 - 12
1655336	12 - 12C
1655337	12 - 13
1655337	12 - 13A
1655338	12 - 11
1655338	12 - 11C
1655339	12 - 14
1655339	12 - 14A
1786825	6 - 15
1786825	13 - 97
1825365	1 - 7
1825365	2 - 2
1855555	12 - 19
1855555	12 - 19A
1860276	10 - 9
1864454	6 - 8
1864481	6 - 5
1864482	6 - 6
1864483	6 - 12
1864484	6 - 13
1864995	6 - 1
1864996	6 - 1
1865328	3 - 10
1865328	6
1865329	3 - 10
1865329	6
1865335	6 - 14
1865347	6 - 3
1865348	6 - 1
1865349	6 - 18
1865350	3 - 10
1865350	6
2175670	9 - 3
2181011	13 - 98
2397045	4 - 6
2451128	1 - 22
2451180	1 - 4
2451180	2 - 1
2451180	2 - 9
2451180	3 - 6
2451197	13 - 98A
2451199	3 - 17
2451199	5 - 28
2451224	1 - 24
2451224	13 - 98B
2451225	3 - 16
2451246	5 - 30
2451249	5 - 29
2451251	8 - 30
2451252	8 - 32
2451253	8 - 29
2451254	8 - 31
2451258	8 - 31
2451259	8 - 29
2451261	1 - 1
2451261	1 - 1
2451262	1 - 1A
2451263	5 - 17
2451275	5 - 10
2451315	1 - 1
2451318	1 - 1A
2451319	5 - 17
2455036	8 - 24
2469297	3 - 12
2538125	1 - 5
2596291	5 - 26
2596291	11 - 6
2597163	3 - 7
2637682	12 - 20
2637689	12 - 21
2637692	12 - 20A
2731026	5 - 24
2731850	12 - 22
5183361	6 - 9
5183362	6 - 10
5252531	12 - 23
5252805	10 - 11

PART NUMBER	LIST AND INDEX NO.
5252836	8 - 27
5350006	13 - 99
5412642	12 - 24
5412817	12 - 25
5552875	2 - 18
5552875	3 - 18
5564569	5 - 5
5564570	5 - 5
5800634	12 - 26
5800674	12 - 26A
5999990	12 - 26B
8240000	5 - 23
8527645	8 - 18

PART NUMBER	LIST AND INDEX NO.
-------------	--------------------

PART NUMBER	LIST AND INDEX NO.
-------------	--------------------

## READER'S COMMENT FORM

5100 PORTABLE COMPUTER

S131-0599-3

### YOUR COMMENTS, PLEASE . . .

Your comments assist us in improving the usefulness of our publications; they are an important part of the input used in preparing updates to the publications. All comments and suggestions become the property of IBM.

Please do not use this form for technical questions about the system or for requests for additional publications; this only delays the response. Instead, direct your inquiries or requests to your IBM representative or to the IBM branch office serving your locality.

Corrections or clarifications needed:

*Page*            *Comment*

Due to the current paper shortage, we will not send a reply to your comments unless you check the box below.

I would like a reply.

Name \_\_\_\_\_

Address \_\_\_\_\_

● Thank you for your cooperation. No postage necessary if mailed in the U.S.A.

Cut Along Line

Fold

Fold

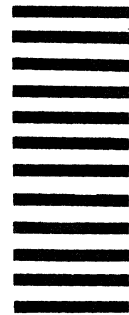
FIRST CLASS  
PERMIT NO. 387  
ROCHESTER, MINN.

**BUSINESS REPLY MAIL**

NO POSTAGE STAMP NECESSARY IF MAILED IN THE UNITED STATES

POSTAGE WILL BE PAID BY . . .

IBM Corporation  
General Systems Division  
Development Laboratory  
Publications, Dept. 245  
Rochester, Minnesota 55901



Fold

Fold

Printed in U.S.A. S131-0599-1



**International Business Machines Corporation**  
General Systems Division  
5775D Glenridge Drive N.E.  
Atlanta, Georgia 30301  
(USA Only)

**IBM World Trade Corporation**  
821 United Nations Plaza, New York, New York 10017  
(International)

# READER'S COMMENT FORM

5100 PORTABLE COMPUTER

S131-0599-3

## YOUR COMMENTS, PLEASE . . .

Your comments assist us in improving the usefulness of our publications; they are an important part of the input used in preparing updates to the publications. All comments and suggestions become the property of IBM.

Please do not use this form for technical questions about the system or for requests for additional publications; this only delays the response. Instead, direct your inquiries or requests to your IBM representative or to the IBM branch office serving your locality.

Corrections or clarifications needed:

*Page*            *Comment*

Due to the current paper shortage, we will not send a reply to your comments unless you check the box below.

I would like a reply.

Name \_\_\_\_\_

Address \_\_\_\_\_

• Thank you for your cooperation. No postage necessary if mailed in the U.S.A.

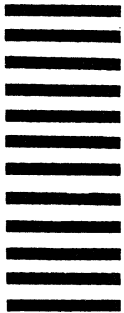
Cut Along Line

Fold

Fold

FIRST CLASS  
PERMIT NO. 387  
ROCHESTER, MINN.

**BUSINESS REPLY MAIL**  
NO POSTAGE STAMP NECESSARY IF MAILED IN THE UNITED STATES



POSTAGE WILL BE PAID BY . . .

IBM Corporation  
General Systems Division  
Development Laboratory  
Publications, Dept. 245  
Rochester, Minnesota 55901

Fold

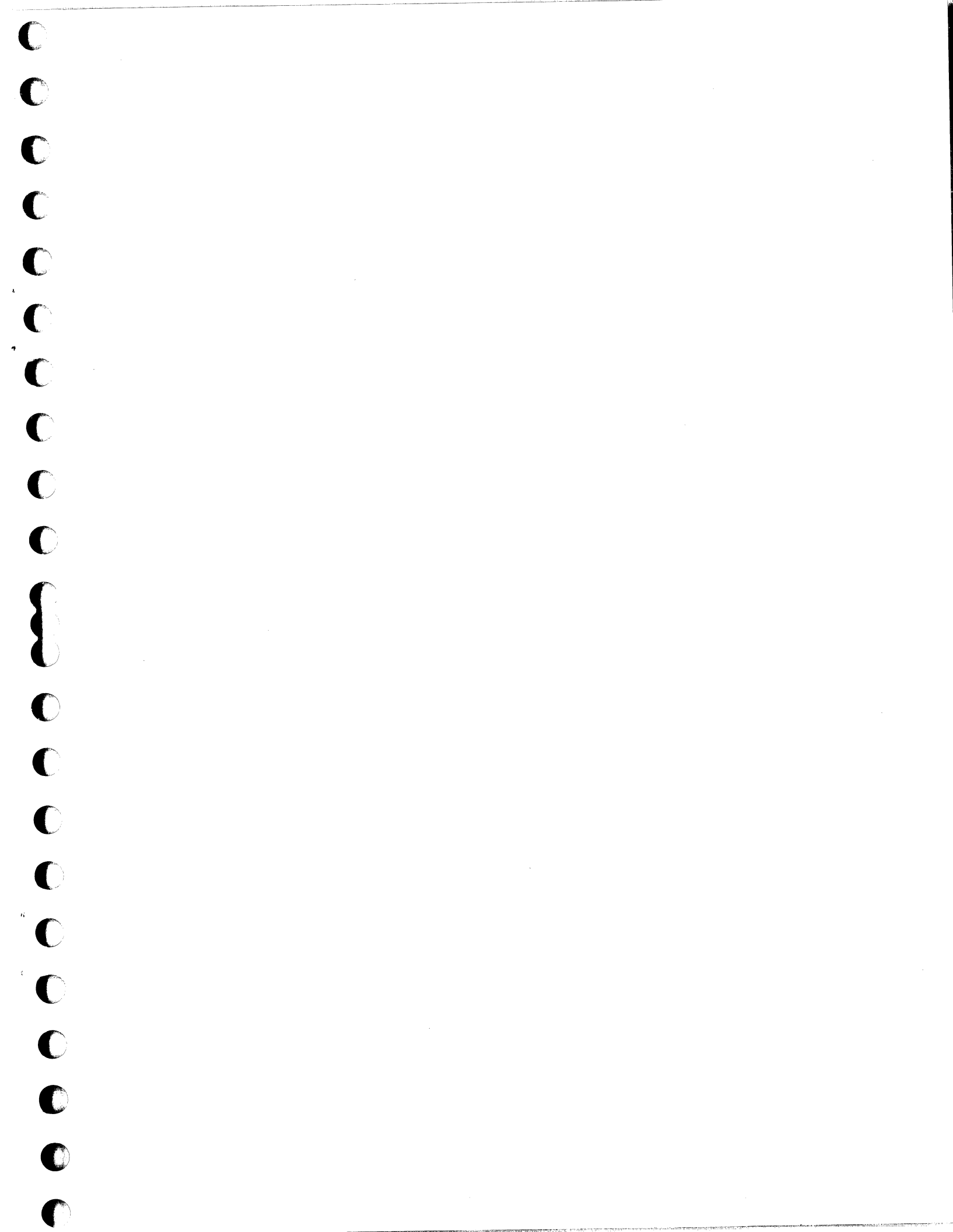
Fold

Printed in U.S.A. S131-0599-1



**International Business Machines Corporation**  
General Systems Division  
5775D Glenridge Drive N.E.  
Atlanta, Georgia 30301  
(USA Only)

**IBM World Trade Corporation**  
821 United Nations Plaza, New York, New York 10017  
(International)



0015

5100

Fold

Use clear acetate tab  
obtained locally

S131-0599-3



**International Business Machines Corporation**  
**General Systems Division**  
**5775D Glenridge Drive N.E.**  
**Atlanta, Georgia 30301**  
**(USA Only)**

**IBM World Trade Corporation**  
**821 United Nations Plaza, New York, New York 10017**  
**(International)**

Printed in U.S.A. S131-0599-3